

**GENUINE** **MEIARIS**



**YOUR SOURCE FOR HIGH QUALITY  
PISTON PUMPS AND COMPONENTS**

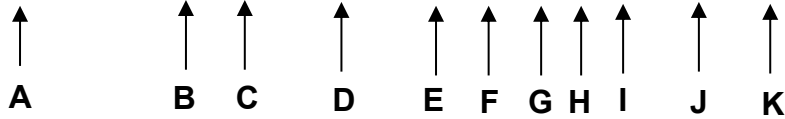
**PISTON PRODUCT LISTING**  
**EFFECTIVE: APRIL 1, 2012**

# PISTON PRODUCT LISTING

## INDEX

• REXROTH® MA10V(S)18 .....	3
• REXROTH® MA10V(S)28 .....	5
• REXROTH® MA10V(S)45 .....	7
• REXROTH® MA10V(S)60 .....	11
• REXROTH® MA10V(S)71 .....	13
• REXROTH® MA10V(S)100 .....	16
• REXROTH® MA10V(S)140.....	19
• REXROTH® MA8VO107/160/200 .....	22
• REXROTH® MA11VO130/190/260 .....	24
• REXROTH® MA4VG71/90/125/180 .....	25
• REXROTH® MA2F107.....	26
• VICKERS® MPVH/MPVE 19/ 21/ 57/74/98/106/131.....	27
• VICKERS® MPVB 5/6 10/15 20/29 .....	34
• SUNDSTRAND® MSPV20 .....	35
• SUNDSTRAND® MPV90 .....	37
• LINDE® HPR100 .....	39
• KAWASAKI® PUMP PARTS K3V, K5V, .....	40
• KAWASAKI® MOTOR PARTS M2X150, M2X170.....	71
• KOMATSU® PARTS PC200-3/ 220-3, PC200-5/ 220-5 .....	77
• KOMATSU® PARTS PC200-6/ 220-6, PC200-7/ 220-7 .....	81
• KOMATSU® PARTS PC300-3/ 400-3, PC300-5/ 400-5, PC300-6/ 400-6....	85
• HITACHI® PARTS HPV116, HPV145.....	91
• LIEBHERR® PARTS LPVD 45/64/90/100/125/140/250 .....	97
• SEARCH FOR PART #	

# MA10V(S)O18-DFR-31R-PKC-62N00



Code	Description
<b><u>A. TYPE</u></b>	
MA10V/31	Swashplate design variable, normal pressure 280 bar (4000psi), peak pressure 350bar (5100psi)
MA10VS/31	Swashplate design variable, c/w max flow adj. 280 bar (4000psi), peak pressure 350bar (5100psi)
<b><u>B. MODE OF OPERATION</u></b>	
O	Mode of operation (Pump Open Circuit)
<b><u>C. SIZE</u></b>	
18	Flow Vg max - 18cm (cu.in. 1.10)
<b><u>D. CONTROLLER TYPE</u></b>	
DFR	Pressure and flow control
DFR1	Pressure and flow control - bleed down orifice plugged
DR	Pressure control
DRG	Remote pressure control
DG	2 Point direct control
<b><u>E. SERIES</u></b>	
31	Series 31
<b><u>F. ROTATION</u></b>	
R	Right (clockwise rotation)
L	Left (counter-clockwise rotation)
<b><u>G. SEALS</u></b>	
P	Buna seals
V	Viton seals (fluorocarbon)
<b><u>H. SHAFT TYPE</u></b>	
P	18 series metric keyed shaft (18mm)
K	18 series SAE keyed shaft (.750 dia)
U	18 series SAE splined shaft (9 tooth-.625)
S	18 series SAE splined shaft (11 tooth - .750)
R	18 series SAE splined reinforced for thru-drive (11 Tooth)
<b><u>I. MOUNT</u></b>	
A	ISO 2-Bolt mount (31 design only)
C	SAE 2-Bolt mount
<b><u>J. PORTING</u></b>	
62	Side port flange (U.N.C mounting screws)
12	Side port flange (metric mounting screws)
<b><u>K. COVER TYPE</u></b>	
N00	Standard cover w/o thru-drive
K01	82-2 SAE A mount (16-4 SAE "A" coupling)

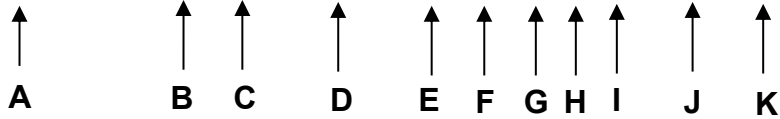
**REXROTH® MA10V(S)O18 - Series 31**

DESCRIPTION		MA10V(S)O18 - Series 31		
		PORTING		
PUMP - MA10V(S)O18**62N00		SAE - SIDE PORTS		
PUMP - MA10V(S)O18**12N00		METRIC - SIDE PORTS		
THRU DRIVE OPTION				
K01 - SAE A Mount (9 Tooth)		THE THRU DRIVE (K** OPTION) INCLUDES COUPLING AND HARDWARE		
DESCRIPTION		QTY.	MA10V(S)O18 - Series 31	
			METARIS #	REFERENCE #
PISTON (EACH)		9 REQ.	B18-72-110	M925458
RETAINER PLATE		1	B18-75-300	M946784
BALL GUIDE		1		M944741
BARREL		1	B18-73-000	M940734
SPRING - SEAT		1	B18-78-000	M934827
SPRING		1	B18-76-100	M933409
RETAINER		1	X05-02-25120	M934832
LENS PLATE - LEFT		1	B18-74-200	M940732
LENS PLATE - RIGHT		1	B18-74-100	M941477
PIN (EACH)		3 REQ.	B18-77-500	M934826
SHAFT (METRIC) - CODE P		1	B18-50-291	M948585
SHAFT (SPLINED) - CODE S		1	B18-50-361	M948588
SHAFT (KEYED) - CODE K		1	B18-50-161	M948587
SHAFT (SPLINED) - CODE U		1	B18-50-311	M932607
SHAFT SPLINED (THRU DRV-CODE S)		1	B18-50-362	M413740
SHAFT KEYED (THRU DRV-CODE K)		1	B18-50-292	M937405
SHAFT METRIC (THRU DRV-CODE P)		1	B18-50-162	M413734
SHAFT METRIC (THRU DRV-CODE R)		1	B18-50-862	M962289
ROTARY GROUP L.H.		1	B18-70-200	M944801
ROTARY GROUP R.H.		1	B18-70-100	M940435
YOKE L.H.		1	B18-43-210	M960983
YOKE R.H.		1	B18-43-110	M948592
CONTROLLER (DFR)***		1	B00-30-100	M907094/ M942581
CONTROLLER (DFR1)***			B00-30-200	M907096
CONTROLLER (DRG)***		1	B00-30-400	M916069
CONTROLLER (DR)***		1	B00-30-300	M907095
CONTROLLER (DG)***		1	B00-30-600	M910921874
SHAFT BEARING - CUP/CONE		1	X03-33-12245	M70109-005
REAR BEARING - CUP/CONE		1	MPN101572	M772968
SADDLE BEARING (EACH)		2 REQ.	B18-03-602	M925255
THRU DRIVE COVER K01 (RH)		1	B18-23-123	M945500
THRU DRIVE COVER K01 (LH)		1	B18-23-223	M937407
THRU DRIVE COVER K01 (RH) metric ported		1	B18-23-323	
THRU DRIVE COVER K01 (LH) metric ported		1	B18-23-423	
CONTROL PISTON ASSY		1	B18-40-502	M940417
COUPLING K01		1	B18-50-512	M937150
KEY FOR SHAFT (CODE K) SAE		1	X01-01-50629	
KEY FOR SHAFT (CODE P) METRIC		1	X01-01-60625	
SHIM KIT		1	B18-92-000	
SEAL KIT		1	B18-80-100	M937565
SEAL KIT - VITON		1	B18-80-200	M941171

\*\*\* Controller Included with Pump

\* Does not include Coupling/Hardware

# MA10V(S)O28-DFR-31R-PKC-62N00



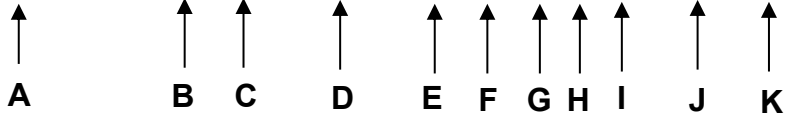
Code	Description
<b><u>A. TYPE</u></b>	
MA10V/31	Swashplate design variable, normal pressure 280 bar (4000psi), peak pressure 350bar (5100psi)
MA10VS/31	Swashplate design variable, c/w max flow adj. 280 bar (4000psi), peak pressure 350bar (5100psi)
<b><u>B. MODE OF OPERATION</u></b>	
O	Mode of operation (Pump Open Circuit)
<b><u>C. SIZE</u></b>	
28	Flow Vg max - 28cm (cu.in. 1.71)
<b><u>D. CONTROLLER TYPE</u></b>	
DFR	Pressure and flow control
DFR1	Pressure and flow control - bleed down orifice plugged
DR	Pressure control
DFLR	Pressure, flow and torque control
DRG	Remote pressure control
DG	2 Point Direct Control
<b><u>E. SERIES</u></b>	
31	Series 31
<b><u>F. ROTATION</u></b>	
R	Right (clockwise rotation)
L	Left (counter-clockwise rotation)
<b><u>G. SEALS</u></b>	
P	Buna seals
V	Viton seals (fluorocarbon)
<b><u>H. SHAFT TYPE</u></b>	
P	28 series metric keyed shaft (DIN 6885) 22mm
K	28 series SAE keyed shaft (.875 dia)
C	28 series tapered w/ woodruff key
R	28 Series SAE splined reinforced for thru-drive (13 Tooth)
S	28 series SAE splined shaft (13 tooth - .875)
<b><u>I. MOUNT</u></b>	
A	ISO 2-Bolt mount (31 design only)
C	SAE 2-Bolt mount
<b><u>J. PORTING</u></b>	
62	Side port flange (U.N.C mounting screws)
61	Rear port flange (U.N.C mounting screws)
11	Rear port flange (metric mounting screws)
12	Side port flange (metric mounting screws)
<b><u>K. COVER TYPE</u></b>	
N00	Standard cover w/o thru-drive
K01	82-2 SAE A mount (16-4 SAE "A" coupling)
K02	101-2 SAE B mount (22-4 SAE "B" coupling)
K03	SAE B mount - SAE B keyed

REXROTH® MA10V(S)O28 - Series 31

DESCRIPTION		MA10VO28 - Series 31	
		PORTING	
PUMP - MA10V(S)O28**62N00		SAE - SIDE PORTS	
PUMP - MA10V(S)O28**12N00		METRIC - SIDE PORTS	
PUMP - MA10V(S)O28**61N00		SAE - REAR PORTS	
PUMP - MA10V(S)O28**11N00		METRIC - REAR PORTS	
<b>DFLR CONTROL OPTION</b>			
<b>THRU DRIVE OPTION - K**</b>			
K01 -- SAE A Mount (9 Tooth)		THE THRU DRIVE (K** OPTION) INCLUDES COUPLING AND HARDWARE	
K02 -- SAE B Mount (13 Tooth)			
K03 -- SAE B Mount SAE B Keyed			
DESCRIPTION	QTY.	MA10VO28 - Series 31	
		METARIS #	REFERENCE #
PISTON (EACH)	9 REQ.	B28-72-110	M925459 / M967658
RETAINER PLATE	1	B28-75-300	M942514
BALL GUIDE	1		M944743
BARREL	1	B28-73-000	M907125 / M2407325
SPRING - SEAT	1	X05-04-33150	M2400717 / M918933
SPRING	1	B28-76-100	M924891
RETAINER	1	B28-78-000	M939048 / M2400716
LENS PLATE - LEFT	1	B28-74-200	M936647
LENS PLATE - RIGHT	1	B28-74-100	M936648
PIN (EACH)	3 REQ.	B28-77-500	M785407
SHAFT METRIC (CODE P)	1	B28-50-291	M923797 / M2415569
SHAFT SPLINED (CODE S)	1	B28-50-321	M947780 / M923789
SHAFT KEYED (CODE K)	1	B28-50-121	M926330
SHAFT KEYED (CODE T)	1	B28-50-731	M989033
SHAFT SPLINED (THRU DRIVE CODE S)	1	B28-50-322	M926327 / M2417371
SHAFT METRIC (THRU DRIVE CODE P)	1	B28-50-292	M925275 / M2415913
SHAFT KEYED (THRU DRIVE CODE K)	1	B28-50-122	M926328
SHAFT SPLINED (THRU DRIVE CODE R)	1	B28-50-822	M962290
ROTARY GROUP L.H.	1	B28-70-200	M947782 / M958654
ROTARY GROUP R.H.	1	B28-70-100	M947781
YOKE L.H.	1	B28-43-210	M960999
YOKE R.H.	1	B28-43-110	M960813
YOKE LH DFLR	1	B28-43-220	M947785
YOKE RH DFLR	1	B28-43-120	M947783
CONTROLLER (DFR)***	1	B00-30-100	M907094/ M942581
CONTROLLER (DFR1)***	1	B00-30-200	M907096
CONTROLLER (DRG)***	1	B00-30-400	M916069
CONTROLLER (DR)***	1	B00-30-300	M907095
CONTROLLER (DG)***	1	B00-30-600	M910921874
SHAFT BEARING - CUP/CONE	1	X03-33-12556	M70109-001
REAR BEARING - CUP/CONE	1	X03-33-11740	M70109-002
SADDLE BEARING (EACH)	2 REQ	B28-03-602	M902778 / M942158
THRU DRIVE COVER K01 (RH)	1	B28-23-124	M5120-542-005
THRU DRIVE COVER K02 / K03 (RH)	1	B28-24-124	M5120-542-006
THRU DRIVE COVER K01 (LH)*	1	B28-23-224	M5120-542-002
THRU DRIVE COVER K02 / K03 (LH)	1	B28-24-224	M5120-542-003
CONTROL PISTON ASSY	1	B28-40-502	MBH00911164

DESCRIPTION	QTY.	MA10VO28 - Series 31	
		METARIS #	REFERENCE #
FEEDBACK CONTROL PISTON	1	B00-30-520	
COUPLING K01	1	B28-50-512	MBH00943539
COUPLING K02	1	B28-50-522	MBH00943542
COUPLING K03	1	B28-50-622	M764981
KEY FOR SHAFT (CODE K) SAE	1	X01-01-60629	
KEY FOR SHAFT (CODE P) METRIC	1	X01-01-60630	
SHIM KIT	1	B28-92-000	
SEAL KIT	1	B28-80-100	M915845
SEAL KIT - VITON	1	B28-80-200	M915845V
<b>*** Controller Included with Pump</b>		<b>* Does not include Coupling/Hardware</b>	

# MA10V(S)O45-DFR-\*\*R-PKC-62N00



<b>Code</b>	<b>Description</b>
<b><u>A. TYPE</u></b>	
<b>MA10V/31/52</b>	Swashplate design variable, normal pressure 280 bar (4000psi), peak pressure 350bar (5100psi)
<b>MA10VS/31/52</b>	Swashplate design variable, c/w max flow adj. 280 bar (4000psi), peak pressure 350bar (5100psi)
<b><u>B. MODE OF OPERATION</u></b>	
<b>O</b>	Mode of operation (Pump Open Circuit)
<b><u>C. SIZE</u></b>	
<b>45</b>	Flow Vg max - 45cm (cu.in. 2.75)
<b><u>D. CONTROLLER TYPE</u></b>	
<b>DFR</b>	Pressure and flow control
<b>DFR1</b>	Pressure and flow control - bleed down orifice plugged
<b>DR</b>	Pressure control
<b>DFLR</b>	Pressure, flow and torque control (31 design only)
<b>DRG</b>	Remote pressure control
<b>DG</b>	2 Point direct control
<b><u>E. SERIES</u></b>	
<b>52</b>	Series 52
<b>31</b>	Series 31
<b><u>F. ROTATION</u></b>	
<b>R</b>	Right (clockwise rotation)
<b>L</b>	Left (counter-clockwise rotation)
<b><u>G. SEALS</u></b>	
<b>P</b>	Buna seals
<b>V</b>	Viton seals (fluorocarbon)
<b><u>H. SHAFT TYPE</u></b>	
<b>P</b>	45 series metric keyed shaft (DIN 6885) 25mm
<b>K</b>	45 series SAE keyed shaft (1" die)
<b>U</b>	45 series splined shaft (13 tooth - .875)
<b>R</b>	45 series splined shaft reinforced for thru-drive (15 Tooth - 1")
<b>W</b>	45 series SAE splined shaft for thru-drive (13 tooth 7/8")
<b>S</b>	45 series splined shaft (15 tooth - 1")
<b><u>I. MOUNT</u></b>	
<b>A</b>	ISO 2-Bolt mount (31 design only)
<b>C</b>	SAE 2-Bolt mount
<b><u>J. PORTING</u></b>	
<b>62</b>	Side port flange (U.N.C mounting screws)
<b>61</b>	Rear port flange (U.N.C mounting screws)
<b>11</b>	Rear port flange (metric mounting screws)
<b>12</b>	Side port flange (metric mounting screws)
<b>64</b>	Rear port ORB (52 design only)
<b><u>K. COVER TYPE - Thru-Drive on 31-Design only</u></b>	
<b>N00</b>	Standard cover w/o thru-drive
<b>K01</b>	82-2 SAE A mount (16-4 SAE "A" coupling)
<b>K02</b>	101-2 SAE B mount (22-4 SAE "B" coupling)
<b>K03</b>	SAE B mount - SAE B Keyed
<b>K04</b>	101-2 SAE B mount (25-4 SAE "BB" coupling)
<b>K05</b>	SAE B mount - SAE BB Keyed



**REXROTH® MA10V(S)O45 - Series 31 & 52**

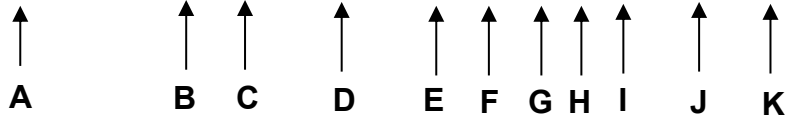
DESCRIPTION		MA10VO45 - Series 31 / 52	
		PORTING	
PUMP - MA10V(S)O45**62N00		SAE - SIDE PORTS	
PUMP - MA10V(S)O45**12N00		METRIC - SIDE PORTS	
PUMP - MA10V(S)O45**64N00 ( 52 Only)		SAE THREADED PORTS(O-RING) REAR PORTS	
PUMP - MA10V(S)O45**61N00		SAE - REAR PORTS	
PUMP - MA10V(S)O45**11N00		METRIC - REAR PORTS	
DFLR CONTROL OPTION - 31 DESIGN ONLY			
THRU DRIVE OPTION - K** -- Available on 52 and 31 design units			
K01 - SAE A Mount (9 Tooth)		THE THRU DRIVE (K** OPTION) INCLUDES COUPLING AND HARDWARE	
K02 - SAE B Mount (13 Tooth)			
K03 - SAE B Mount (SAE B Keyed)			
K04 - SAE B Mount (15 Tooth)			
K05 - SAE B Mount (SAE BB Keyed)			
DESCRIPTION	QTY.	MA10VO45 - Series 31 / 52	
		METARIS #	REFERENCE #
PISTON (EACH)	9 REQ.	B45-72-110	M925460 / M963893
RETAINER PLATE	1	B45-75-300	M943627 / M978872
BALL GUIDE	1		M941318
BARREL	1	B45-73-000	M907001
SPRING - SEAT	1	B45-78-000	M2400727 / M939056
SPRING	1	B45-76-100	M2400724 / M071072
RETAINER	1	X05-04-38150	M2400726 / M912520
LENS PLATE - LEFT	1	B45-74-200	M936644
LENS PLATE - RIGHT	1	B45-74-100	M936645
PIN (EACH)	3 REQ.	B45-77-500	M941277
SHAFT SPLINED (CODE U)	1	B45-50-321	M987649 / M926325
SHAFT SPLINED (CODE S)	1	B45-50-331	M923309 / M947729
SHAFT KEYED (CODE K)	1	B45-50-131	M923308 / M947788
SHAFT METRIC (CODE P)	1	B45-50-291	M923742 / M947820
SHAFT KEYED (CODE T)	1	B45-50-731	M2417384
SHAFT SPLINED (THRU DRIVE CODE R)	1	B45-50-832	M962291/ M2417400
SHAFT SPLINED (THRU DRIVE CODE U)	1	B45-50-322	M926326 / M2417398
SHAFT KEYED (THRU DRIVE CODE K)	1	B45-50-132	M926335
SHAFT SPLINED (THRU DRIVE CODE S)	1	B45-50-332	M923743
SHAFT SPLINED (THRU DRV-CODE W)	1	B45-50-822	M902417398
SHAFT KEYED (THRU DRIVE METRIC CODE P)	1	B45-50-292	M923310
ROTARY GROUP L.H.	1	B45-70-200	M947789 / M914154
ROTARY GROUP R.H.	1	B45-70-100	M947730 / M900510
YOKE L.H. (52 Design)	1	B46-43-210	M929316
YOKE R.H. (52 Design)	1	B46-43-110	M928665
YOKE L.H. (31 Design)	1	B45-43-220	M947791
YOKE R.H. (31 Design)	1	B45-43-120	M947790
YOKE L.H. (31 Design) -DFLR	1	B45-43-220	M961026
YOKE R.H. (31 Design) - DFLR	1	B45-43-120	M947793
CONTROLLER (DFR)***	1	B00-30-100	M907094/ M942581
CONTROLLER (DFR1)***	1	B00-30-200	M907096
CONTROLLER (DRG)***	1	B00-30-400	M916069
CONTROLLER (DR)***	1	B00-30-300	M907095
CONTROLLER (DG)***	1	B00-30-600	M910921874

**REXROTH® MA10V(S)O45 - Series 31 & 52**

DESCRIPTION	QTY.	MA10VO45 - Series 31 / 52	
		METARIS #	REFERENCE #
SHAFT BEARING - CUP/CONE	1	X03-33-12957	M70109-004
REAR BEARING - CUP/CONE	1	X03-33-12245	M70109-005
SADDLE BEARING - 31 design (EACH)	2 REQ	B45-03-602	M900198
SADDLE BEARING - 52 design (EACH)	2 REQ	B46-03-602	M933793
THRU DRIVE COVER K01 (RH)	1	B45-23-135	M5130-542-006
THRU DRIVE COVER K02 / K03 / K04 (RH)	1	B45-24-135	M5130-542-007
THRU DRIVE COVER K01 (LH)	1	B45-23-235	M5130-542-002
THRU DRIVE COVER K02 / K03 / K04 (LH)	1	B45-24-235	M5130-542-003
THRU DRIVE COVER (45/52) KP1 ISO (RH)	1	B46-23-335	
THRU DRIVE COVER (45/52) KP1 ISO (LH)	1	B46-23-435	
THRU DRIVE COVER (45/52) K02 (LH)	1	B46-24-435	
THRU DRIVE COVER (45/52) K02 (BI)	1	B46-24-735	
CONTROL PISTON ASSY - 31 design	1	B45-40-501	MBH00910852
FEEDBACK CONTROL PISTON	1	B00-30-520	B00-30-520
COUPLING K01	1	B45-50-512	MBH00943529
COUPLING K02	1	B45-50-522	MBH00943531
COUPLING K03	1	B45-50-622	M763764
COUPLING K04	1	B45-50-532	MBH00738476
COUPLING K05	1	B45-50-632	M766933
KEY FOR SHAFT (CODE K) SAE	1	X01-01-06035	
KEY FOR SHAFT (CODE P) METRIC	1	X01-01-70836	
SHIM KIT	1	B45-92-000	
SEAL KIT - 31 Design	1	B45-80-100	M925885
SEAL KIT - VITON - 31 Design	1	B45-80-200	M925885V
SEAL KIT - 52 Design	1	B46-80-100	M963478
SEAL KIT - VITON - 52 Design	1	B46-80-200	M963478V

**\*\*\* Controller Included with Pump**
**\* Does not include Coupling/Hardware**

# MA10V(S)O60-DFR-52R-PKC-62N00



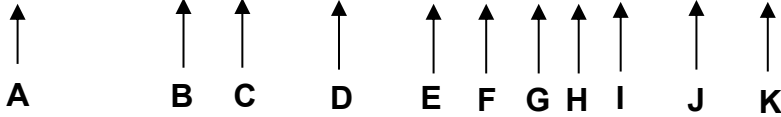
<b>Code</b>	<b>Description</b>
<b><u>A. TYPE</u></b>	
<b>MA10V/52</b>	Swash plate design variable, normal pressure 280 bar (4000psi), peak pressure 350bar (5100psi)
<b>MA10VS/52</b>	Swash plate design variable, c/w max flow adj. 280 bar (4000psi), peak pressure 350bar (5100psi)
<b><u>B. MODE OF OPERATION</u></b>	
<b>O</b>	Mode of operation (Pump Open Circuit)
<b><u>C. SIZE</u></b>	
<b>60</b>	Flow Vg max - 60cm (cu.in. 3.66)
<b><u>D. CONTROLLER TYPE</u></b>	
<b>DFR</b>	Pressure and flow control
<b>DFR1</b>	Pressure and flow control - bleed down orifice plugged
<b>DR</b>	Pressure control
<b>DRG</b>	Remote pressure control
<b>DG</b>	2 Point Direct Control
<b><u>E. SERIES</u></b>	
<b>52</b>	Series 52
<b><u>F. ROTATION</u></b>	
<b>R</b>	Right (clockwise rotation)
<b>L</b>	Left (counter-clockwise rotation)
<b><u>G. SEALS</u></b>	
<b>P</b>	Buna Seals
<b>V</b>	Viton Seals (fluorocarbon)
<b><u>H. SHAFT TYPE</u></b>	
<b>K</b>	60 series keyed shaft (1.250 dia)
<b>U</b>	60 series SAE splined shaft (15 tooth - 1")
<b>S</b>	60 series SAE splined shaft (14 tooth 1.250")
<b>W</b>	60 series SAE splined shaft for thru-drive (15 tooth 1.")
<b><u>I. MOUNT</u></b>	
<b>D</b>	SAE 4-bolt mount (5" pilot)
<b>C</b>	SAE 2-bolt mount 4" pilot
<b><u>J. PORTING</u></b>	
<b>62</b>	Side port flange (U.N.C mounting screws)
<b>61</b>	Rear port flange (U.N.C mounting screws)
<b>12</b>	Side port flange (metric mounting screws)
<b><u>K. COVER TYPE</u></b>	
<b>N00</b>	Standard cover w/o thru-drive
<b>K02</b>	101-2 SAE B mount (22-4 SAE "B" coupling)
<b>K04</b>	101-2 SAE B mount (25-4 SAE "BB" coupling)

REXROTH® MA10V(S)O60 - Series 52

DESCRIPTION		MA10V(S)O60 - Series 52		
		PORTING		
PUMP - MA10V(S)O60**62N00		SAE - SIDE PORTS		
PUMP - MA10V(S)O60**12N00		METRIC - SIDE PORTS		
PUMP - MA10V(S)O60**61N00		SAE - REAR PORTS		
PUMP - MA10V(S)O60**11N00		METRIC - REAR PORTS		
PUMP - MA10V(S)O63**12/62/11/61N00		REPLACEMENT FOR A10V(S)O63		
<b>THRU DRIVE OPTION - K**</b>				
K02 -- SAE B Mount (13 Tooth)		THE THRU DRIVE (K** OPTION) INCLUDES COUPLING AND HARDWARE		
K04 -- SAE B Mount (15 Tooth)				
DESCRIPTION		QTY.	MA10V(S)O60 - Series 52	
			METARIS #	REFERENCE #
PISTON (EACH)		9 REQ.	B60-72-110	M2418043
RETAINER PLATE		1	B60-75-300	M2413087
BALL GUIDE		1		M973533
BARREL		1	B60-73-000	M973540
SPRING - SEAT		1	B60-78-000	M2400742
SPRING		1	B60-76-100	M975251
RETAINER		1	MPN107182	M9156218
LENS PLATE - LEFT		1	B60-74-200	M2451807
LENS PLATE - RIGHT		1	B60-74-100	M978570
PIN (EACH)		3 REQ.	B60-77-500	M2400741
SHAFT SPLINED (CODE S)		1	B60-50-341	M2413417
SHAFT SPLINED (CODE U)		1	B60-50-331	M987666
SHAFT KEYED (CODE K)		1	B60-50-141	M2413414
SHAFT SPLINED (THRU DRIVE CODE S)		1	B60-50-342	M994407
SHAFT SPLINED (THRU DRIVE CODE W)		1	B60-50-832	M987665
ROTARY GROUP L.H.		1	B60-70-200	M926276
ROTARY GROUP R.H.		1	B60-70-100	M973744
YOKE L.H (52 Design)		1	B60-43-210	M975095
YOKE R.H (52 Design)		1	B60-43-110	M973545
CONTROLLER (DFR)***		1	B00-30-100	M907094/ M942581
CONTROLLER (DFR1)***		1	B00-30-200	M907096
CONTROLLER (DRG)***		1	B00-30-400	M916069
CONTROLLER (DR)***		1	B00-30-300	M907095
CONTROLLER (DG)***		1	B00-30-600	M910921874
SHAFT BEARING - CUP/CONE		1	X03-33-13573	M70109-007
REAR BEARING - CUP/CONE		1	X03-33-12552	M33205
SADDLE BEARING -R		1	B60-03-612	M2413837
SADDLE BEARING - L		1	B60-03-622	M2413836
CONTROL PISTON ASSY		1	B60-40-500	M993694
SEAL KIT		1	B60-80-100	M408523
SEAL KIT - VITON		1	B60-80-200	M408523V

\*\*\* Controller Included with Pump

# MA10V(S)O71-DFR-31R-PKC-62N00



**Code**

**Description**

**A. TYPE**

<b>MA10V/31</b>	Swashplate design variable, normal pressure 280 bar (4000psi), peak pressure 350bar (5100psi)
<b>MA10VS/31</b>	Swashplate design variable, c/w max flow adj. 280 bar (4000psi), peak pressure 350bar (5100psi)

**B. MODE OF OPERATION**

<b>O</b>	Mode of operation (Pump Open Circuit)
----------	---------------------------------------

**C. SIZE**

<b>71</b>	Flow Vg max - 71cm (cu.in. 4.33)
-----------	----------------------------------

**D. CONTROLLER TYPE**

<b>DFR</b>	Pressure and flow control
<b>DFR1</b>	Pressure and flow control - bleed down orifice plugged
<b>DR</b>	Pressure control
<b>DFLR</b>	Pressure, flow and torque Control
<b>DRG</b>	Remote Pressure Control
<b>DG</b>	2 Point direct control

**K. COVER TYPE**

**E. SERIES**

<b>31</b>	Series 31
-----------	-----------

<b>N00</b>	Standard Cover w/o Thru-Drive
<b>K01</b>	82-2 SAE A mount (16-4 SAE "A" coupling)
<b>K02</b>	101-2 SAE B mount (22-4 SAE "B" coupling)
<b>K03</b>	SAE B mount - SAE B Keyed
<b>K04</b>	101-2 SAE B mount (25-4 SAE "BB" coupling)
<b>K05</b>	SAE B mount - SAE BB Keyed
<b>K07</b>	127-2 SAE C mount (32-4 SAE "C" coupling)
<b>K08</b>	SAE C mount (SAE C Keyed)

**F. ROTATION**

<b>R</b>	Right (clockwise rotation)
<b>L</b>	Left (counter-clockwise rotation)

**G. SEALS**

<b>P</b>	Buna Seals
<b>V</b>	Viton Seals (fluorocarbon)

**H. SHAFT TYPE**

<b>P</b>	71 series metric Keyed shaft (DIN 6885) 32mm
<b>K</b>	71 series SAE keyed shaft (1.250 dia)
<b>S</b>	71 series splined shaft (14 tooth - 1.250)
<b>R</b>	71 series SAE splined shaft reinforced for thru-drive

**I. MOUNT**

<b>A</b>	ISO 2-bolt mount
<b>C</b>	SAE 2-bolt mount

**J. PORTING**

<b>11</b>	Rear port flange (1" & 1 1/4" comb. Pressure port) metric mounting screws
<b>12</b>	Side port flange (1" & 1 1/4" comb. Pressure port) metric mounting screws
<b>41</b>	Rear port flange (1" pressure) metric mounting screws
<b>42</b>	Side port flange (1" pressure) metric mounting screws
<b>43</b>	Rear port flange (1 1/4" pressure port) metric mounting screws
<b>44</b>	Side port flange (1 1/4" pressure port) metric mounting screws
<b>61</b>	Rear port flange (1" & 1 1/4" comb. Pressure port) U.N.C mounting screws
<b>62</b>	Side port flange (1" & 1 1/4" comb. Pressure port) U.N.C mounting screws
<b>91</b>	Rear port flange (1" pressure) U.N.C mounting screws
<b>92</b>	Side port flange (1" pressure) U.N.C mounting screws
<b>93</b>	Rear port flange (1 1/4" pressure port) U.N.C mounting screws
<b>94</b>	Side port flange (1 1/4" pressure port) U.N.C mounting screws

REXROTH® MA10V(S)O71 - Series 31

DESCRIPTION	MA10VO71 - Series 31
	PORTING
PUMP - MA10V(S)O71**62/92N00	SAE - SIDE PORTS
PUMP - MA10V(S)O71**12/42N00	METRIC - SIDE PORTS
PUMP - MA10V(S)O71**61/91N00	SAE - REAR PORTS
PUMP - MA10V(S)O71**11/41N00	METRIC - REAR PORTS
PUMP - MA10V(S)O74**62/92/12/42/11/41N00	ALL TYPES AVAILABLE

<b>DFLR CONTROL OPTION</b>	
<b>THRU DRIVE OPTION - K**</b>	
<p>K01 - SAE A Mount (9 Tooth)          K02 - SAE B Mount (13 Tooth)          K03 - SAE B Mount (SAE B Keyed)          K04 - SAE B Mount (15 Tooth)          K05 - SAE B Mount (SAE BB Keyed)          K07 - SAE C Mount (14 Tooth)          K08 - SAE C Mount (SAE C Keyed)</p>	<p>THE THRU DRIVE (K** OPTION) INCLUDES          COUPLING AND HARDWARE</p>

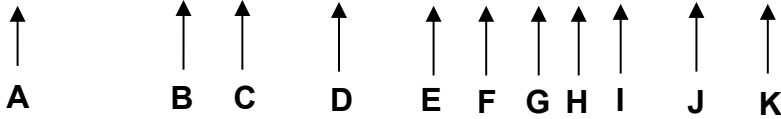
DESCRIPTION	QTY.	MA10VO71 - Series 31	
		METARIS #	REFERENCE #
PISTON (EACH)	9 REQ.	B71-72-110	M720011 / M924554
RETAINER PLATE	1	B71-75-100	M919813
BALL GUIDE	1	B71-75-200	M749745
BARREL	1	B71-73-000	M907126
SPRING - SEAT	1	B71-78-000	M720186
SPRING	1	B71-76-100	M720178
RETAINER	1	X05-04-45180	M919038
LENS PLATE - LEFT	1	B71-74-200	M936640
LENS PLATE - RIGHT	1	B71-74-100	M936641
PIN (EACH)	3 REQ.	B71-77-500	M785423
SHAFT METRIC (CODE P)	1	B71-50-291	M947821 / M995064
SHAFT SPLINED (CODE S)	1	B71-50-341	M923553 / M947796
SHAFT KEYED (CODE K)	1	B71-50-141	M926333 / M2412021
SHAFT SPLINED (THRU DRIVE CODE S)	1	B71-50-342	M923471
SHAFT KEYED (THRU DRIVE CODE K)	1	B71-50-142	M926344 / M2412030
SHAFT METRIC (THRU DRIVE CODE P)	1	B71-50-292	M925556 / M987680
SHAFT SPLINED (THRU DRV-CODE R)	1	B71-50-842	9622292
ROTARY GROUP L.H.	1	B71-70-200	M947802 / M911929
ROTARY GROUP R.H.	1	B71-70-100	M947801 / M956007
YOKE L.H.	1	B71-43-220	M904689
YOKE R.H.	1	B71-43-120	M903881
YOKE LH DFLR	1	B71-43-220	M904689
YOKE RH DFLR	1	B71-43-120	M961017
CONTROLLER (DFR)***	1	B00-30-100	M907094/ M942581
CONTROLLER (DFR1)***	1	B00-30-200	M907096
CONTROLLER (DRG)***	1	B00-30-400	M916069
CONTROLLER (DR)***	1	B00-30-300	M907095
CONTROLLER (DG)***	1	B00-30-600	M910921874
SHAFT BEARING - CUP/CONE	1	X03-33-13573	M70109-007
REAR BEARING - CUP/CONE	1	X03-33-12557	M70109-008
SADDLE BEARING (EACH)	2 REQ	B71-03-602	M902777

**REXROTH® MA10V(S)O71 - Series 31**

DESCRIPTION	QTY.	MA10VO71 - Series 31	
		METARIS #	REFERENCE #
BEARING KIT	1	B71-03-800	M5140-635-014
THRU DRIVE COVER K07 / K08 (RH)	1	B71-25-196	M5140-542-021
THRU DRIVE COVER K01 (RH)	1	B71-23-196	M5140-542-017
THRU DRIVE COVER K02 / K04 (RH)	1	B71-24-196	M5140-542-019
THRU DRIVE COVER K01 (LH)*	1	B71-23-296	M5140-542-018
THRU DRIVE COVER K02 / K04 (LH)	1	B71-24-296	M5140-542-020
THRU DRIVE COVER K07 / K08 (LH)	1	B71-25-296	M5140-542-022
CONTROL PISTON ASSY	1	B71-40-501	M910873 / 910870
FEEDBACK CONTROL PISTON	1	B71-30-520	
COUPLING K01	1	B71-50-512	MBH00943545
COUPLING K02	1	B71-50-522	MBH00943547
COUPLING K03	1	B71-50-622	M795682
COUPLING K04	1	B71-50-532	MBH00943548
COUPLING K05	1	B71-50-632	M764906
COUPLING K07	1	B71-50-542	MBH00943549
COUPLING K08	1	B71-50-642	M766895
KEY FOR SHAFT (CODE K) SAE	1	X01-01-80841	
KEY FOR SHAFT (CODE P) METRIC	1	X01-01-81045	
SHIM KIT	1	B71-92-000	
SEAL KIT	1	B71-80-100	M915846 / M5140-635-005
SEAL KIT - VITON	1	B71-80-200	M915846V / M5140-635-007

**\*\*\* Controller Included with Pump**
**\* Does not include Coupling/Hardware**

# MA10V(S)O100-DFR-31R-PKC-62N00



**Code                    Description**

**A. TYPE**

**MA10V/31**                    Swashplate design variable, normal pressure  
 280 bar (4000psi), peak pressure 350bar (5100psi)

**MA10VS/31**                    Swashplate design variable, c/w max flow adj.  
 280 bar (4000psi), peak pressure 350bar (5100psi)

**B. MODE OF OPERATION**

**O**                    Mode of operation (Pump Open Circuit)

**C. SIZE**

**100**                    Flow Vg max - 100 cm (cu.in. 6.1)

**D. CONTROLLER TYPE**

**DFR**                    Pressure and flow control

**DFR1**                    Pressure and flow control - bleed down orifice plugged

**DR**                    Pressure control

**DFLR**                    Pressure, flow and torque control

**DRG**                    Remote Pressure Control

**K. COVER TYPE**

**DG**                    2 Point direct control

**N00**                    Standard cover w/o thru-Drive

**K01**                    82-2 SAE A mount (16-4 SAE "A" coupling)

**K02**                    101-2 SAE B mount (22-4 SAE "B" coupling)

**K04**                    101-2 SAE B mount (22-4 SAE "BB" coupling)

**K07**                    127-2 SAE C mount (32-4 SAE "C" coupling)

**K08**                    SAE C mount (SAE C Keyed)

**K24**                    SAE C mount (17 Tooth)

**K52**                    82-2-SAE A mount (19-4 SAE "A-B" coupling)

**E. SERIES**

**31**                    Series 31

**F. ROTATION**

**R**                    Right (clockwise rotation)

**L**                    Left (counter-clockwise rotation)

**G. SEALS**

**P**                    Buna Seals

**V**                    Viton Seals (fluorocarbon)

**H. SHAFT TYPE**

**P**                    100 series metric keyed shaft (44mm)

**K**                    100 series SAE keyed shaft (1.50 dia)

**U**                    100 series SAE splined shaft (14 tooth-1.25)

**S**                    100 series SAE splined shaft (17 tooth - 1.50)

**W**                    100 series SAE splined shaft for Thru-Drive (14 tooth - 1.250)

**I. MOUNT**

**A**                    ISO 2-bolt mount (31 design only)

**C**                    SAE 2-bolt mount

**J. PORTING**

**61**                    Rear Port Flange (1 1/4" Pressure port) U.N.C. mounting screws

**11**                    Rear Port Flange (1 1/4" Pressure port) metric mounting screws

**62**                    Side Port Flange (1 1/4" Pressure port) U.N.C mounting screws

**12**                    Side Port Flange (1 1/4" Pressure port) metric mounting screws

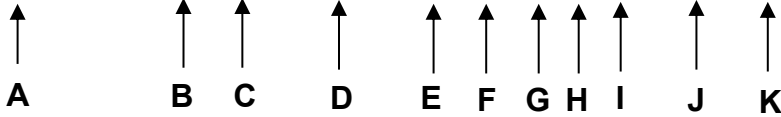


**REXROTH® MA10V(S)O100 - Series 31**

DESCRIPTION		<b>MA10VO100 - Series 31</b>	
		PORTING	
<b>PUMP - MA10V(S)O100**62N00</b>		SAE - SIDE PORTS	
<b>PUMP - MA10V(S)O100**12N00</b>		METRIC - SIDE PORTS	
<b>PUMP - MA10V(S)O100**61N00</b>		SAE - REAR PORTS	
<b>PUMP - MA10V(S)O100**11N00</b>		METRIC - REAR PORTS	
<b>DFLR CONTROL OPTION</b>			
<b>THRU DRIVE OPTION - K**</b>			
K01 - SAE A Mount (9 Tooth)		<i>THE THRU DRIVE (K** OPTION) INCLUDES COUPLING AND HARDWARE</i>	
K02 - SAE B Mount (13 Tooth)			
K04 - SAE B Mount (15 Tooth)			
K07 - SAE C Mount (14 Tooth)			
K08 - SAE C Mount (SAE C Keyed)			
K24 - SAE C Mount (17 Tooth)			
K52 - SAE A Mount (11 Tooth)			
DESCRIPTION	QTY.	<b>MA10VO100 - Series 31</b>	
		METARIS #	REFERENCE #
PISTON (EACH)	9 REQ.	B10-72-110	M925463 / M2418003
RETAINER PLATE	1	B10-75-100	M967136 / M996526
BALL GUIDE	1	B10-75-200	M906813 / M944744
BARREL	1	B10-73-000	M906882 / M2407207
SPRING - SEAT	1	B10-78-000	M906880
SPRING	1	MPN400031	M906894
RETAINER	1	X05-02-62200	M791555
LENS PLATE - LEFT	1	B10-74-200	M936639
LENS PLATE - RIGHT	1	B10-74-100	M936661
PIN (EACH)	3 REQ.	B10-77-500	M906879
SHAFT SPLINED (CODE U)	1	B10-50-341	M2410600 / M923312
SHAFT SPLINED (CODE S)	1	B10-50-381	M924553 / M987698
SHAFT KEYED (CODE K)	1	B10-50-181	M923317 / M2410595
SHAFT METRIC (CODE P)	1	B10-50-291	M925162 / M987699
SHAFT SPLINED (THRU DRIVE CODE R)	1	B10-50-882	M993523
SHAFT SPLINED (THRU DRIVE CODE W)	1	B10-50-842	M987686
SHAFT METRIC (THRU DRIVE CODE P)	1	B10-50-292	M923709 / M987697
SHAFT KEYED (THRU DRIVE CODE K)	1	B10-50-182	M924552 / M2410605
SHAFT SPLINED (THRU DRIVE CODE S)	1	B10-50-382	M923316
ROTARY GROUP L.H.	1	B10-70-200	M907681 / M948604
ROTARY GROUP R.H.	1	B10-70-100	M948603 / M906871
YOKE L.H.	1	B10-43-210	M948606
YOKE R.H.	1	B10-43-110	M961050
YOKE LH DFLR	1	B10-43-220	M948606
YOKE RH DFLR	1	B10-43-120	M093881
CONTROLLER (DFR)***	1	B00-30-100	M907094 / M942581
CONTROLLER (DFR1)***	1	B00-30-200	M907096
CONTROLLER (DRG)***	1	B00-30-400	M916069
CONTROLLER (DR)***	1	B00-30-300	M907095
CONTROLLER (DG)***	1	B00-30-600	M910921874

REXROTH® MA10V(S)O100 - Series 31	DESCRIPTION	QTY.	MA10VO100 - Series 31	
			METARIS #	REFERENCE #
	SHAFT BEARING - CUP/CONE	1	X03-33-14587	M906908
	REAR BEARING - CUP/CONE	1	X03-333-13062	M906909
	SADDLE BEARING (EACH)	2 REQ	B10-03-602	M906881
	CONTROL PISTON ASSY	1	B10-40-501	M913784
	FEEDBACK CONTROL PISTON	1	B00-30-520	
	THRU DRIVE COVER K01/ K52(RH)	1	B10-23-147	M910375
	THRU DRIVE COVER K01/ K52(LH)	1	B10-23-247	910729
	THRU DRIVE COVER K02 / K04 (RH)	1	B10-24-147	910369
	THRU DRIVE COVER K02 / K04 (LH)	1	B10-24-247	
	THRU DRIVE COVER K71 / K24 / K08 (RH)	1	B10-25-147	
	THRU DRIVE COVER K71 / K24 / K08 (LH)	1	B10-25-247	
	COUPLING K01	1	B10-50-512	M943560
	COUPLING K02	1	B10-50-522	M943562
	COUPLING K04	1	B10-50-532	M943563
	COUPLING K07	1	B10-50-542	M943564
	COUPLING K08	1	B10-50-642	M943569
	COUPLING K24	1	B10-50-582	M943565
	COUPLING K52	1	B10-50-592	M943561
	KEY FOR SHAFT (CODE K) SAE	1	X01-01-90950	
	KEY FOR SHAFT (CODE P) METRIC	1	X01-01-81268	
	SHIM KIT	1	B10-92-000	
	SEAL KIT	1	B10-80-100	M915847
	SEAL KIT - VITON	1	B10-80-200	M915847V
*** Controller Included with Pump		* Does not include Coupling/Hardware		

# MA10V(S)O140-DFR-31R-PKC-62N00



Code	Description
<b><u>A. TYPE</u></b>	
MA10V/31	Swashplate design variable, normal pressure 280 bar (4000psi), peak pressure 350bar (5100psi)
MA10VS/31	Swashplate design variable, c/w max flow adj. 280 bar (4000psi), peak pressure 350bar (5100psi)
<b><u>B. MODE OF OPERATION</u></b>	
O	Mode of operation (Pump Open Circuit)
<b><u>C. SIZE</u></b>	
140	Flow Vg max - 140cm (cu.in. 8.540)
<b><u>D. CONTROLLER TYPE</u></b>	
DFR	Pressure and flow control
DFR1	Pressure and flow control - bleed down orifice plugged
DR	Pressure control
DFLR	Pressure, flow and torque control
DRG	Remote pressure control
<b><u>E. SERIES</u></b>	
31	Series 31
<b><u>F. ROTATION</u></b>	
R	Right (clockwise rotation)
L	Left (counter-clockwise rotation)
<b><u>G. SEALS</u></b>	
P	Buna Seals
V	Viton Seals (fluorocarbon)
<b><u>H. SHAFT TYPE</u></b>	
P	140 series metric keyed shaft (45mm)
K	140 series SAE keyed shaft (1.750 dia)
S	140 series SAE splined shaft (13 tooth - 1.750)
<b><u>I. MOUNT</u></b>	
A	ISO 2-bolt mount (31 design only)
C	SAE 2-bolt mount
<b><u>J. PORTING</u></b>	
62	Side Port Flange (U.N.C mounting screws)
12	Side Port Flange (metric mounting screws)
<b><u>K. COVER TYPE</u></b>	
N00	Standard cover w/o thru-Drive
K01	82-2 SAE A mount (16-4 SAE "A" coupling)
K07	127-2 SAE C mount (32-4 SAE "C" coupling)
K17	SAE D mount (13 tooth)
KB7	ISO-180 (13 tooth)

**REXROTH® MA10V(S)O140 - Series 31**

DESCRIPTION		MA10VO140 - Series 31	
		PORTING	
PUMP - MA10V(S)O140**62N00		SAE - SIDE PORTS	
PUMP - MA10V(S)O140**12N00		METRIC - SIDE PORTS	
<b>DFLR CONTROL OPTION</b>			
<b>THRU DRIVE OPTION - K**</b>			
K02 - SAE B Mount (13 Tooth)		<b>THE THRU DRIVE (K** OPTION) INCLUDES COUPLING AND HARDWARE</b>	
K04 - SAE B Mount (15 Tooth)			
K07 -SAE C Mount (14 Tooth)			
K17 - SAE D Mount (13 Tooth)			
KB7 - ISO 180 (13 Tooth)			
DESCRIPTION	QTY.	MA10VO140 - Series 31	
		METARIS #	REFERENCE #
PISTON (EACH)	9 REQ.	B14-72-110	M925464
RETAINER PLATE	1	B14-75-100	M996527
BALL GUIDE	1	B14-75-200	M944745
BARREL	1	B14-73-000	M945341
SPRING - SEAT	1	B14-78-000	M917727
SPRING	1	B14-76-100	M918171
RETAINER	1	X05-02-58200	918189
LENS PLATE - LEFT	1	B14-74-200	M975126
LENS PLATE - RIGHT	1	B14-74-100	M973907 / M975125
PIN (EACH)	3 REQ.	B14-77-500	M917728
SHAFT SPLINED (CODE S)	1	B14-50-351	M923593 / M948614
SHAFT KEYED (CODE K)	1	B14-50-151	M923315 / M948513
SHAFT METRIC (CODE P)	1	B14-50-291	M923594 / M948612
SHAFT KEYED (THRU-DRIVE CODE K)	1	B14-50-152	M923314
SHAFT SPLINED (THRU-DRIVE CODE S)	1	B14-50-352	M923595
SHAFT METRIC (THRU-DRIVE CODE P)	1	B14-50-292	M923313
ROTARY GROUP L.H.	1	B14-70-200	M948618
ROTARY GROUP R.H.	1	B14-70-100	M948617
YOKE L.H.	1	B14-43-210	M948620
YOKE R.H.	1	B14-43-110	M948619
CONTROLLER (DFR/DFR1)***	1	B14-30-100	M924993
CONTROLLER (DRG)***	1	B14-30-400	M928528
CONTROLLER (DR)***	1	B14-30-300	M920182
CONTROL PISTON ASSY	1	B14-40-502	M917597
FEEDBACK CONTROL PISTON	1	B14-30-520	
SHAFT BEARING - CUP/CONE	1	MPN101573	M918203
REAR BEARING - CUP/CONE	1	MPN091749	M32207F
SADDLE BEARING (EACH)	2	B14-03-602	M918174
COUPLING K02	1	B14-50-522	M943552
COUPLING K04	1	B14-50-532	M938658
COUPLING K07	1	B14-50-542	M921508
COUPLING K17	1	B14-50-552	M932172
KEY FOR SHAFT (CODE K) SAE	1	X01-01-91165	
KEY FOR SHAFT (CODE P) METRIC	1	X01-01-90979	

	DESCRIPTION	QTY.	MA10VO140 - Series 31	
			METARIS #	REFERENCE #
	SHIM KIT	1	B14-92-000	
	SEAL KIT	1	B14-80-100	M941169
	SEAL KIT - VITON	1	B14-80-200	M941169V
<b>*** Controller Included with Pump</b>				



**REXROTH® MA8VO107**

DESCRIPTION	QTY.	MA8VO107	
		METARIS #	REFERENCE #
ROTATING GROUP (DRIVE)	1	B87-70-112	M428522 / M441183
ROTATING GROUP (DRIVE)	1	MPN108021	
ROTATING GROUP (IDLER)	1	B87-70-211	M428185 / M441184
ROTATING GROUP (w/o SHAFT)	1	B87-70-000	M434586
VALVE PLATE - LEFT	1	B87-74-200	M650454
VALVE PLATE - RIGHT	1	B87-74-100	M650453
CYLINDER BARREL	1	B87-73-000	M430886
SCREW (EACH)	14 REQ.	X41-21-05016	M449235
PISTON RING (EACH)	7 REQ.	B87-72-300	M156248
RETAINER PLATE	1	B87-75-100	M444764
PISTON (EACH)	7 REQ.	B87-72-110	M443469
PISTON WITH RING (EACH)	7 REQ.	B87-72-120	M2021910
DISC SPRING (EACH)	4 REQ.	B87-76-200	M409134
CENTER PIN	1	B87-77-400	M410289
DRIVE SHAFT (Main)	1	B87-50-399	M430673
DRIVE SHAFT (Hub)	1	B87-50-999	M411723 / M425724
DRIVE SHAFT (24 Tooth)	1	MPN101743	
SHAFT BEARING (ASSEMBLY)	1	MPN098921	M154486
SEAL KIT	1	B87-80-200	M270941
CUP COLLAR	1	B87-92-051	M412570
SPACER	1		
SHIM	1		

Shims & Spacers are included in the rotating group; they are also available for individual purchase - Please contact our Inside Sales Department

**REXROTH® MA8VO160**

DESCRIPTION	QTY.	MA8VO160	
		METARIS #	ALTERNATIVE #
ROTARY GROUP - DRIVE (RH)	1	B86-70-112	
ROTARY GROUP - IDLER (LH)	1	B86-70-211	
ROTARY GROUP w/o SHAFT	1	B86-70-000	
BARREL	1	B86-73-000	M430794
DRIVE SHAFT - DRIVE	1	MPN400055	M436475
DRIVE SHAFT (HUB)	1	MPN400056	M436474
VALVE PLATE - LEFT	1	B86-74-200	M650456
VALVE PLATE - RIGHT	1	B86-74-100	M650455
CYLINDER BARREL	1	B86-73-000	M430794
SCREW (EACH)	14 REQ.	X41-21-06020	M831108
PISTON RING (EACH)	7 REQ.	B86-72-300	M9831897
RETAINER PLATE	1	B86-75-100	M6269
PISTON (EACH)	7 REQ.	B86-72-110	M440274
PISTON WITH RING (EACH)	7 REQ.	B86-72-120	M2021911
DISC SPRING (EACH)	4 REQ.	MPN025016	M410551
CENTER PIN	1	B86-77-400	M410552
BEARING ASSEMBLY	1	MPN101942	
BEARING CUP/CONE	2 REQ.	MPN400057	M156512
BEARING CUP/CONE	1	MPN400058	M23232
CUP COLLAR	1	MPN025018	M414031
SPACER	1		
SHIM	1		

Shims & Spacers are included in the rotating group; they are also available for individual purchase - Please contact our Inside Sales Department

**REXROTH® MA8VO200**

DESCRIPTION	QTY.	MA8VO200	
		METARIS #	REFERENCE #
ROTATING GROUP (C/W DRIVE SHAFT)	1	B82-70-112	
ROTATING GROUP (IDLER)	1	B82-70-211	
ROTATING GROUP (w/o SHAFT)	1	B82-70-000	
IDLER SHAFT	1	B82-50-999	
REAR PORT RH - ISO PORTING		MPN107913	M2030556
VALVE PLATE - LEFT	1	B82-74-200	
VALVE PLATE - RIGHT	1	B82-74-100	
BARREL	1	B82-73-000	
SCREWS	14 REQ.	X41-29-06020	
PISTON RINGS	14 REQ.	B82-72-300	
PISTON	7 REQ.	B82-72-110	
RETAINER PLATE	1	B82-75-100	
DISC SPRING	4REQ.	B82-73-200	
CENTER PIN	1	B82-77-400	
BEARING ASSEMBLY	1	MPN101942	
FRONT BEARING CUP/CONE	1	MPN108149	
RETAINING RING	1	MPN108151	
SPACER	1		
SHIM	1		

Shims & Spacers are included in the rotating group; they are also available for individual purchase - Please contact our Inside Sales Department

**REXROTH® MA11VO**

DESCRIPTION	QTY.	MA11VO130	
		METARIS #	REFERENCE #
CYLINDER BLOCK & VALVE PLATE LH	1	MPN500046	M9443979
CYLINDER BLOCK & VALVE PLATE RH	1	MPN500047	M02041935
PISTON & SHOE	9 req	MPN500045	M09078189
SWASH PLATE	1	MPN500048	M09445879
RETAINER PLATE	1	MPN500049	M09431914
BALL GUIDE	1	MPN500050	M02041873
BALL GUIDE SPRING	1	MPN500054	M09074128
BALL GUIDE WASHER	1	MPN500055	M09412706
FRONT BEARING	1	MPN107955	M09156269
REAR BEARING	1	MPN107956	M09156310
RETAINER	1	MPN500053	M09431891
SADDLE BEARING	1	MPN500051	M02600959
SADDLE BEARING SEAT	1	MPN500052	M09650057
SHAFT SEAL	1	MPN107954	M09154345
DESCRIPTION	QTY.	MA11VO190	
		METARIS #	ALTERNATIVE #
<b>A11VLO190DRS/01L-NTD12K02</b>		<b>MPN103677</b>	
CYLINDER BLOCK & VALVE PLATE (LH)	1	MPN500004	M2400550
CYLINDER BLOCK & VALVE PLATE RH	1		M02400542
PISTON & SHOE	9 req	MPN107977	M2400541
SWASH PLATE	1	MPN107999	M9921186
RETAINER PLATE	1	MPN500005	M2400681
BALL GUIDE	1	MPN500006	M2400544
BALL GUIDE SPRING	1	MPN500008	M2400547
BALL GUIDE WASHER	1	MPN500009	M2400545
FRONT BEARING	1	MPN107958	M9157194
BEARING - REAR	1	MPN107959	M9156745
RETAINER	1	MPN500007	M2007712
SADDLE BEARING	1	MPN107997	M2600957
SADDLE BEARING SEAT	1	MPN107998	M9921202
PUSH ROD - BOTTOM	1	MPN500011	M2007459
PUSH ROD STEPPED - TOP	1	MPN500010	M2007453
SHAFT SEAL	1	MPN107957	M9831662
DESCRIPTION	QTY.	MA11VO260	
		METARIS #	REFERENCE #
CYLINDER BLOCK & VALVE PLATE RH	1	MPN500033	M02400662
PISTON AND SHOE	9 req	MPN500031	M02400557
SWASH PLATE	1	MPN500034	M09921364
RETAINER PLATE	1	MPN500035	M2400559
BALL GUIDE	1	MPN500036	M02400655
FRONT BEARING	1	MPN107961	M09831574
REAR BEARING	1	MPN107962	M09156665
PUSH ROD (BOTTOM)	1	MPN500043	M02028020
PUSH ROD STEPPED (TOP)	1	MPN500042	M02027506
RETAINER	1	MPN500039	M09921366
SADDLE BEARING	1	MPN500037	M09831302
SADDLE BEARING SEAT	1	MPN500038	M09449731
SHAFT SEAL	1	MPN107960	M09831663



REXROTH® MA4VG

DESCRIPTION	QTY.	MA4VG71	
		METARIS #	REFERENCE #
CHARGE PUMP	1	MPN107945	M9606657
CHARGE PUMP	1	MPN107951	M9606664
DESCRIPTION	QTY.	MA4VG90	
		METARIS #	REFERENCE #
PISTON	9 Req	MPN500059	M00414515
BARREL AND VALVE PLATE RH	1	MPN500060	M00449882+M00650711CW
RETAINER PLATE	1	MPN500061	M00921729
BALL GUIDE	1	MPN500062	M00921730
SWASH PLATE	1	MPN500063	M00922255
SADDLE BEARING	1	MPN500064	M00650053
BEARING SEAT	1	MPN500065	M00830165
DISC SPRING	1	MPN500066	M00921728
WASHER	1	MPN500067	
WEAR PLATE	1	MPN500070	M00650748
COUPLER	1	MPN500068	M009650376
CHARGE PUMP	1	MPN107947	M9606811
CHARGE PUMP	1	MPN107946	M9606805
DESCRIPTION	QTY.	MA4VG125	
		METARIS #	REFERENCE #
PISTON	9 Req	MPN500071	M00428131
BARREL AND VALVE PLATE RH	1	MPN500072	M00445940+M00650714CCW
RETAINER PLATE	1	MPN500073	M00921719
BALL GUIDE	1	MPN500074	M00432264
SPRING WASHERS	1	MPN500080	M00921720
SADDLE BEARINGS	1	MPN500079	M00830578
BEARING SEAT	1	MPN500077	M00650055
SWASH PLATE	1	MPN500075	M00445122
WASHER	1	MPN500081	
BARREL SPRING	1	MPN500082	M00443465
COMPOSITE BEARING	1	MPN500083	M00426695
RETAINING RING	1	MPN500084	
SIDE PLATE	1	MPN800079	M00650692
CHARGE PUMP	1	MPN107949	M651470
CHARGE PUMP	1	MPN107948	M9606320
DESCRIPTION	QTY.	MA4VG180	
		METARIS #	REFERENCE #
PISTON	9 Req	MPN500085	M00429499
BARREL AND VALVE PLATE RH	1	MPN500086	00449877+00650715CCW
RETAINER PLATE	1	MPN500087	00445277
BALL GUIDE	1	MPN500088	00440135
SWASH PLATE	1	MPN500089	00445149
DISC SPRING	1	MPN500090	00445400
SNAP RING	1	MPN500091	71128-006
BARREL WASHER	1	MPN500092	00449875
BARREL SPRING	1	MPN500093	00435429
CHARGE PUMP	1	MPN107950	M9446224



<b>REXROTH® MA2F</b>	<b>DESCRIPTION</b>		<b>MA2F107</b>	
			<b>METARIS #</b>	<b>REFERENCE #</b>
		<b>QTY.</b>		
	PISTON (EACH)	7 REQ.	B27-72-110	M426823 / M410321
	RETAINER PLATE	1	B87-75-100	M444764
	BARREL	1	B27-73-010	M421288 / M421309
	SPRING	1	B27-76-200	M400105
CENTER PIN	1	B27-77-400	M409486	
VALVE CONTROL PLATE -RH	1	B27-74-100	M650851	

MPVH-\*\*(QI) \*\*-(L/R)(\*)\* - \*\* S -11- \*\* \*\*\* (V) - \*\*\*

↑            ↑            ↑            ↑            ↑            ↑            ↑            ↑            ↑            ↑

1            2            3            4            5            6            7            8            9            10            11

**1 Series**

MPVH

**2 Pump Size**

57  
74  
98  
131

**3 Application**

Blank - Mobile  
QI - Quiet Industrial  
(1500-1800rpm @ 250/280 bar)

**4 Mounting Flange**

C - SAE "C" 4-bolt type  
C2 - Optional 2/4 bolt mount 5 pilot  
C3 - Optional 4-bolt SAE-C pilot for vertical mounting.

**5 Rotation**

R - Right hand  
L - Left hand

**6 Configuration**

Blank - Non-thru-drive (single unit)  
A - SAE-A thru-drive-pump, standard (SAE J744-82-2)  
B - SAE-B thru-drive-pump, optional (SAE J44-101-2/4)  
C - SAE-C thru-drive-pump, optional (SAE J744-127-2/4)  
S - Max volume stop

**7 Main Ports**

F - SAE 4-bolt flange ports (standard)  
M - SAE 4-bolt pads with Metric threads

**8 Shaft Type**

1 - SAE-C straight key  
2 - SAE-C 14-tooth spline  
3 - SAE-CC 17-tooth spline  
5 - Tapered-Keyed  
8 - SAE-BB 15-tooth spline (57 only)  
10 - 14-tooth spline (57/ 74 only)  
24 - 19-tooth spline (57 only)

**Thru - Drive Shafts**

2 - 14-tooth thru-drive (98 only)  
3 - 17-tooth thru-drive (74 / 98 only)  
5 - Tapered thru-drive (98 only)  
10 - 14-tooth spline thru-drive (74 / 98 only)

**9 Shaft Seal**

S - Single  
D -Double

**10 Pressure Control Type**

C - Compensator, 140-280 bar (2080-4000psi)  
CM - Compensator, 35-140 bar (50-2000psi)  
CV - Load sense controller

**11 Pressure Setting**

25 - 250 bar (3625 psi) Standard setting  
\*\* - Special settings available

**PVH used to replace obsolete PVE pumps**



VICKERS® MPVE19/21

DESCRIPTION	QTY	MPVE 19	
		METARIS #	REFERENCE #
<b>PUMP PVE19L - *-30**-12</b>	<b>1</b>		
Rotating Group Assembly	1	MPN093160	M923948
Barrel	1	MPN093151	M426454
Piston (EACH)	9 REQ.	MPN093627	M923939
Shoe Cage {Retainer Plate}	1	MPN093628	M402650
Ball Guide (Spherical Washer)	1	MPN093629	M402580
Valve Plate - LH	1	MPN093152	M425415
Valve Plate - RH	1	MPN093153	M425412
Load Sensing Control Valve	1	MPN090694	M02-125161
Standard 'C' Compensator	1	MPN090509	M02-125160
Pin Retainer	1	MPN093165	M410050
Pin (EACH)	3 REQ.	MPN093155	M248810
Spring	1	MPN093157	M402579
Spring Washer a	1	MPN093156	M404932
Spring Washer b	1	MPN093158	M423368
Snap Ring	1	MPN093159	M99907
Seal Kit	1	MPN093163	M923989
Metal Gasket PVE 19/21	1	MPN101818	M423617
Yoke	1	MPN105133	M409997
DESCRIPTION	QTY	MPVE 21	
		METARIS #	REFERENCE #
<b>PUMP PVE21L - *-30**-12</b>	<b>1</b>		
Rotating Group Assembly	1	MPN093171	M923947
Barrel	1	MPN093161	M418215
Piston (EACH)	9 REQ.	MPN093162	M923946
Shoe Cage {Retainer Plate}	1	MPN093628	M402650
Ball Guide (Spherical Washer)	1	MPN093629	M402580
Valve Plate - LH	1	MPN093164	M425416
Valve Plate - RH	1	MPN093630	M425413
Load Sensing Control Valve	1	MPN090694	M02-125161
Standard 'C' Compensator	1	MPN090509	M02-125160
Pin Retainer	1	MPN093165	M410050
Pin (EACH)	3 REQ.	MPN093155	M248810
Spring	1	MPN093157	M402579
Spring Washer a	1	MPN093156	M404932
Spring Washer b	1	MPN093158	M423368
Snap Ring	1	MPN093159	M99907
Seal Kit	1	MPN093163	M923989
Metal Gasket PVE 19/21	1	MPN101818	M423617
Yoke	1	MPN105133	M409997

**VICKERS® MPVH57 / MPVE27**

DESCRIPTION	QTY	MPVH 57 / MPVE 27	
		METARIS #	REFERENCE #
<b>PUMP - MPVH57</b>	1	See Model Code for Configurations	
<b>PUMP - MPVE27 Replacement*</b>			
<b>PVE Adapter Kit**</b>			
<b>Thru Drive Option</b>			
Rotating Group Assembly MPVE27	1	MPN098556	M938102
Rotating Group Assembly MPVH57	1	MPN098418	M877420
Barrel	1	MPN093108	M937023 / M680625
Piston (EACH)	9 REQ.	MPN093109	M306362
Piston Kit (SET)	1	MPN098552	M926257
Shoe Cage {Retainer Plate}	1	MPN093110	M584512
Valve Plate - LH	1	MPN093115	M680631
Valve Plate - RH	1	MPN093116	M680630
Valve Plate (QIP) LH PVH57	1	MPN102294	M514121
Valve Plate (QIP) RH PVH57	1	MPN102293	M514128
Yoke PVH57	1	MPN093118	M690832
Front Shaft Bearing cup/cone	1	X03-33-13565	M513433
Rear Shaft Bearing cup/cone	1	MPN600167	M513436
Shaft (Keyed) - #1	1	MPN107679	M527166
Shaft (Splined) - #2	1	MPN101819	M513839
Shaft (Splined) - #8	1	MPN101595	M913978
Shaft (Splined) - #10	1	MPN101418	M857787
Shaft (Splined) - #24	1	MPN101419	M997024
Shaft - Thru-Drive (Splined) - #2	1	MPN101680	M526684
Saddle Bearing (W) MPVH57 (each)	1	MPN092338	M513885
Saddle Bearing (N) MPVH57 (each)	1	MPN092339	M513886
Control Piston & Rod Assy (PVH57)	1	MPN103286	M690211+M690210
Coupling SAE C - 14 Tooth	1	MPN101753	M526696
Coupling SAE B - 13 Tooth	1	MPN101754	M526694
Coupling SAE BB - 15 Tooth	1	MPN101752	M526695
Thru Drive Cover (RH) MPVH57 SAE	1	MPN101679	M928730
Thru Drive Cover (LH) MPVH57 SAE	1	MPN101678	M928705
Spacer (EA)	2 REQ.	MPN093119	M690801
Spring Guide	1	MPN093111	M680624
Key for Shaft Code # 1	1	X01-01-80832	M114516
Spring	1	MPN093112	M627524
Spring Guide	1	MPN093113	M584524
Retaining Ring	1	MPN093114	M85560
Spacer PVE27	1	MPN098072	M632587
Swash Plate PVE27	1	MPN098075	M584515
Load Sensing Control Valve	1	MPN090694	M02-125161
Standard 'C' Compensator	1	MPN090509	M02-125160
Limiter (EA)	2 REQ.	MPN093120	M690218
Gasket - PVE	1	MPN101876	M597022
Gasket - PVH	1	MPN093624	M513846
Seal Kit - PVH	1	MPN400125	M102244

**WICKERS® MPVH74 / MPVE35**

DESCRIPTION	QTY	MPVH 74 / MPVE 35	
		METARIS #	REFERENCE #
<b>PUMP - MPVH74</b>	<b>1</b>	<b>See Model Code for Configurations</b>	
<b>PUMP - MPVE35 Replacement*</b>			
<b>PVE Adapter Kit**</b>			
<b>Thru Drive Option</b>			
Rotating Group Assembly PVH74	1	MPN098417	M877421
Rotating Group Assembly PVE35	1	MPN098451	M938101
Barrel	1	MPN092725	M937025 / M680626
Piston (EACH)	9 REQ.	MPN092724	M305857
Piston Kit (SET)	1	MPN093626	M941424
Shoe Cage {Retainer Plate}	1	MPN093631	M584774
Valve Plate - LH	1	MPN093632	M627437
Valve Plate - RH	1	MPN400060	M627438
Valve Plate (QI) - LH - PVH	1	MPN095586	M513890
Valve Plate (QI) - RH - PVH	1	MPN107583	M513889
Yoke - PVH	1	MPN093105	M526651
Front Shaft Bearing cup/cone	1	MPN103433	M589093
Rear Shaft Bearing cup/cone	1	MPN102367	M388153
Shaft (Keyed) - #1 (74 only)	1	MPN107676	M692567
Shaft (Splined) - #2 (74 only)	1	MPN107677	M513865
Shaft (Threaded-Keyed) - #5 (74 only)	1	MPN107166	M883252
Shaft (Splined) - #10 - (74 only)	1	MPN107167	M883326
Shaft Thru-Drive (Splined) - #2 (74 only)	1	MPN107119	M883229
Shaft Thru-Drive (Splined) - #10 (74 only)	1	MPN109000	M875792
Control Piston & Rod Assy (PVH74)	1	MPN103285	M690804+M690805
Coupling SAE B - 13 Tooth	1	MPN101758	M864457
Coupling SAE BB - 15 Tooth	1	MPN101755	M864459
Coupling SAE C - 14 Tooth	1	MPN101756	M864458
Coupling SAE CC - 17 Tooth	1	MPN101757	M864461
Coupling SAE A - 9 Tooth	1	MPN101838	M864460
Thru Drive Cover (RH) (MPVH74) SAE	1	MPN101827	M928732
Thru Drive Cover (LH) (MPVH74) SAE	1	MPN101355	M928707
Spacer (EA)	2 REQ.	MPN093106	M526639
Key for Shaft Code # 1	1	X01-01-80832	M114516
Spring Guide	1	MPN400061	M631568
Spring	1	MPN400062	M584454
Spring Guide	1	MPN400063	M584483
Retaining Ring	1	MPN400064	M91365
Spacer PVE35	1	MPN098074	M584473
Yoke PVE74	1	MPN090156	M231557
Swash Plate PVH74	1	MPN093105	M526651
Swash Plate PVE35	1	MPN098076	M631567
Limiters (EA)	2 REQ.	MPN093107	M690796
Load Sensing Control Valve	1	MPN090694	M02-125161
Standard 'C' Compensator	1	MPN090509	M02-125160
Gasket MPVH74	1	MPN101332	M526631
GASKET PVE35	1	MPN101878	631571
Seal Kit MPVH74	1	MPN400066	M102262
Saddle Bearing (N) PVH74 (each)	1	MPN098399	M513927
Saddle Bearing (W) PVH74 (each)	1	MPN098400	M513926

**WICKERS® MPVH98/ MPVE47**

DESCRIPTION	QTY	MPVH 98 / MPVE 47	
		METARIS #	REFERENCE #
<b>PUMP - PVH98</b>	<b>1</b>	<b>See Model Code for Configurations</b>	
<b>PUMP - PVE47 Replacement*</b>			
<b>PVE Adapter Kit**</b>			
<b>Thru Drive Option</b>			
Rotating Group Assembly PVH98	1	MPN098419	M877422
Rotating Group Assembly PVE47	1	MPN098554	M938103
Barrel	1	MPN091101	M680627
Piston (EACH)	9 REQ.	MPN091100	M02-152400
Piston Kit (SET)	1	MPN098553	M926246
Shoe Cage {Retainer Plate}	1	MPN025013	M584539
Valve Block - RH	1	MPN098098	M928635
Valve Block - LH	1	MPN091104	M928684
Valve Block Metric -LH	1	MPN091105	M928685
Mobile Valve Plate - LH	1	MPN091106	M584540
Mobile Valve Plate - RH	1	MPN091107	M627371
Industrial Valve Plate - RH	1	MPN090489	M514122
Industrial Valve Plate - LH	1	MPN090503	M514120
Valve Plate (QIP) R.H. PVH98	1	MPN090489	M514122
Valve Plate (QIP)L.H. PVH98	1	MPN090503	M514120
Yoke PVH98	1	MPN090508	M513629
Saddle Bearing (W)	1	MPN095061	M513911
Saddle Bearing (N)	1	MPN095062	M513912
Front Shaft Bearing cup/cone	1	MPN092123	M388154
Rear Shaft Bearing cup/cone	1	MPN092126	M413603
Shaft (Keyed) - #1	1	MPN091568	M527167
Shaft (Splined) - #2	1	MPN090488	M513627
Shaft Thru-Drive (Splined) - #2	1	MPN101374	M860679
Shaft Thru-Drive (Splined) - #3	1	MPN101416	M864453
Shaft Thru-Drive (Threaded-Keyed) - #5	1	MPN109001	M500613
Control Piston & Rod Assy (PVH98)	1	MPN103287	M526627+M526628
Coupling SAE B - 13 Tooth	1	MPN101579	M877040
Coupling SAE BB - 15 Tooth	1	MPN101638	M877044
Coupling SAE C - 14 Tooth	1	MPN101580	M877045
Coupling SAE CC - 17 Tooth	1	MPN101639	M877046
Coupling SAE A - 9 Tooth	1	MPN101839	M877039
Thru Drive Cover (RH) (MPVH98) SAE	1	MPN101910	M928732
Thru Drive Cover (LH) (MPVH98) SAE	1	MPN101375	M928710
Spacer PVH98 (EA)	2 REQ.	MPN092271	M513625
Spacer PVE47	1	MPN098073	M584545
Key for Shaft Code # 1	1	X01-01-80832	M114516
Spring Guide	1	MPN091596	M584546
Spring	1	MPN091597	M627192
Spring Guide	1	MPN091594	M584547
Retaining Ring	1	MPN091595	M102038
Swash Plate PVE47	1	MPN098077	M584531
Limitter (EA)	2 REQ.	MPN091103	M513626
Load Sensing Control Valve	1	MPN090694	M02-125161
Standard 'C' Compensator	1	MPN090509	M02-125160
Shaft Seal	1	MPN091827	M589332
Gasket (Metal)	1	MPN091593	M513631
Seal Kit	1	MPN092717	M102264

**WICKERS® MPVH106**

DESCRIPTION	QTY	MPVH 106	
		METARIS #	REFERENCE #
<b>PUMP - PVH106</b>	<b>1</b>	<b>See Model Code for Configurations</b>	
<b>Thru Drive Option</b>			
Rotating Group Assembly	1	MPN101979	02-102053
Barrel	1	MPN102084	688218
Piston (EACH)	9 REQ.	MPN102085	02-306365
Shoe Cage {Retainer Plate}	1	MPN102086	688217
Valve Block - RH	1	MPN101978	688219
Valve Block - LH	1	MPN102087	688220
Valve Block Metric -LH	1	MPN091105	M928685
Mobile Valve Plate - LH	1	MPN091106	M584540
Mobile Valve Plate - RH	1	MPN091107	M627371
Industrial Valve Plate - RH	1	MPN090489	M514122
Industrial Valve Plate - LH	1	MPN090503	M514120
Yoke PVH98	1	MPN090508	M513629
Saddle Bearing (W)	1	MPN095061	M513911
Saddle Bearing (N)	1	MPN095062	M513912
Front Shaft Bearing cup/cone	1	MPN092123	M388154
Rear Shaft Bearing cup/cone	1	MPN092126	M413603
Shaft (Keyed) - #1	1	MPN091568	M527167
Shaft (Splined) - #2	1	MPN090488	M513627
Shaft Thru-Drive (Splined) - #2	1	MPN101374	M860679
Shaft Thru-Drive (Splined) - #3	1	MPN101416	M864453
Shaft Thru-Drive (Threaded-Keyed) - #5	1	MPN109001	M500613
Control Piston & Rod Assy (PVH106)	1	MPN103287	M526627+M526628
Coupling SAE B - 13 Tooth	1	MPN101579	M877040
Coupling SAE BB - 15 Tooth	1	MPN101638	M877044
Coupling SAE C - 14 Tooth	1	MPN101580	M877045
Coupling SAE CC - 17 Tooth	1	MPN101639	M877046
Coupling SAE A - 9 Tooth	1	MPN101839	M877039
Thru Drive Cover (RH) SAE	1	MPN101910	M928732
Thru Drive Cover (LH) SAE	1	MPN101375	M928710
Spacer (EA)	2 REQ.	MPN092271	M513625
Spring Guide	1	MPN091596	M584546
Spring	1	MPN091597	M627192
Spring Guide	1	MPN091594	M584547
Retaining Ring	1	MPN091595	M102038
Limitter (EA)	2 REQ.	MPN091103	M513626
Load Sensing Control Valve	1	MPN090694	M02-125161
Standard 'C' Compensator	1	MPN090509	M02-125160
Shaft Seal	1	MPN091827	M589332
Gasket (Metal)	1	MPN091593	M513631
Seal Kit	1	MPN092717	M102264



**WICKERS® MPVH131**

DESCRIPTION	QTY	MPVH 131 / 141	
		METARIS #	REFERENCE #
<b>PUMP - PVH131</b>	<b>1</b>	<b>See Model Code for Configurations</b>	
<b>Thru Drive Option</b>			
Rotating Group Assembly (PVH131)	1	MPN098425	M877419
Rotating Group Assembly (PVH141)	1	MPN104946	M02-322898
Barrel	1	MPN093699	M680628
Barrel (PVH141)	1	MPN104957	M928786
Piston (EACH)	9 REQ.	MPN025003	M159749
Piston (EACH) (PVH141)	9 REQ.	MPN104958	M02-306322
Shoe Cage {Retainer Plate}	1	MPN025011	M683791
Shoe Cage {Retainer Plate} PVH141	1	MPN104956	M928776
Valve Plate - LH	1	MPN095223	M527163
Valve Plate - RH	1	MPN095224	M527164
Valve Plate - RH (PVH141)	1	MPN104945	M928774
Yoke	1	MPN095225	M692941
Spacer (EA)	2 REQ.	MPN095226	M526757
Limitter (EA)	2 REQ.	MPN095227	M526758
Saddle Bearing (W)	1	MPN098401	M692949
Saddle Bearing (N)	1	MPN098402	M692948
Front Shaft Bearing cup/cone	1	MPN102001F	M388206
Rear Shaft Bearing cup/cone	1	X03-33-13565	M513433
Shafts (Splined) # 2	1	MPN102424	M860802
Shaft (Splined) # 3	1	MPN102069	M877042
Shafts # 6	1	MPN102324	M928810
Shaft (Splined) # 10	1	MPN102323	M913395
Shaft (Splined) # 12	1	MPN102322	M860593
Shaft (Keyed) # 13	1	MPN102309	M876175
Shaft (Keyed) # 23	1	MPN102321	M913685
Shaft Thru-Drive # 3	1	MPN102320	M876177
Shaft Thru-Drive (Keyed) # 6	1	MPN102071	M877049
Shaft Thru-Drive (Splined) # 10	1	MPN102072	M913561
Shaft Thru-Drive (Splined) # 12	1	MPN102070	M860594
Shaft Thru-Drive (Keyed) # 23	1	MPN102073	M883240
Control Piston & Rod Assy (PVH131)	1	MPN103288	M526754+M526753
Coupling SAE BB - 15 Tooth	1	MPN101638	M877044
Coupling SAE C - 14 Tooth	1	MPN101580	M877045
Coupling SAE CC - 17 Tooth	1	MPN101639	M877046
Coupling SAE B - 13 Tooth	1	MPN101579	M877039
Thru Drive Cover (RH) (MPVH131) SAE	1	MPN101814	M928736
Thru Drive Cover (LH) (MPVH131) SAE	1	MPN101813	M928713
Gasket (Metal)	1	MPN107566	M526760
Load Sensing Control Valve	1	MPN090694	M02-125161
Standard 'C' Compensator	1	MPN090509	M02-125160
Spring Guide	1	MPN098140	M581104
Spring	1	MPN098139	M626111
Key for Shaft Code # 13	1	X01-01-90938	M140282
Spring Guide	1	MPN098138	M417667
Retaining Ring	1	MPN098141	M135066
Seal Kit	1	MPN099711	M102266

DESCRIPTION		SERIES 5 to 29	
PUMP MPVB 5/6			
PUMP MPVB 10/15			
PUMP MPVB 20/29			
DESCRIPTION	QTY.	MPVB 5/6	
		METARIS #	ALTERNATIVE #
ROTATING GROUP - PVB 5	1	MPN090157	M875775
PISTON KIT (SET OF 9) - PVB 5	1	MPN091856	M942229
ROTATING GROUP PVB6	1	MPN091092	M875773
PISTON KIT (SET OF 9) -PVB6	1	MPN091857	M942230
VALVE PLATE LH - MPVB5/6	1	MPN091861	M942224
VALVE PLATE RH - MPVB5/6	1	MPN090158	M942223
SHAFT - KEYED	1	MPN091098	M266162
SHAFT - SPLINED	1	MPN091845	M286848
SHAFT BEARING	1	MPN091647	M283233
PINTLE BEARING	1	MPN091649	M317572
SEAL KIT (NITRILE)	1	MPN091653	M919191
DESCRIPTION	QTY.	MPVB 10/15	
		METARIS #	ALTERNATIVE #
ROTATING GROUP - PVB10	1	MPN090160	M938276
PISTON KIT (SET OF 9) - PVB10	1	MPN091858	M942047
ROTATING GROUP - PVB15	1	MPN090785	M938273
PISTON KIT (SET OF 9) - PVB15	1	MPN091859	M941887
VALVE PLATE LH - MPVB15	1	MPN091863	M942162
VALVE PLATE RH - MPVB15	1	MPN091862	M942163
VALVE PLATE LH - MPVB10	1	MPN091864	M942161
VALVE PLATE RH - MPVB10	1	MPN091865	M942160
SWASH PLATE PVB10/15	1	MPN103216	M239077
SHAFT - KEYED	1	MPN091099	M270369
SHAFT - SPLINED	1	MPN091846	M292077
SHAFT BEARING	1	MPN091648	M284397
PINTLE BEARING	1	MPN091641	M012016
SEAL KIT (NITRILE)	1	MPN091654	M919682
GASKET PVB10/15	1	MPN102622	M317162
DESCRIPTION	QTY.	MPVB 20/29	
		METARIS #	ALTERNATIVE #
ROTATING GROUP - PVB20	1	MPN090163	M938274
PISTON KIT (SET OF 9) - PVB20	1	MPN090819	M941883
ROTATING GROUP - PVB29	1	MPN091094	M938275
PISTON KIT (SET OF 9) - PVB29	1	MPN091860	M941888
VALVE PLATE LH - MPVB29	1	MPN091866	M942172
VALVE PLATE RH - MPVB29	1	MPN091867	M942171
VALVE PLATE LH - MPVB20	1	MPN090210	M942170
VALVE PLATE RH - MPVB20	1	MPN090164	M942169
SHAFT - KEYED	1	MPN091096	M362135
SHAFT - SPLINED	1	MPN091847	M282880
SHAFT BEARING	1	MPN091646	M283090
PINTLE BEARING	1	MPN091651	M353230
SEAL KIT (NITRILE)	1	MPN091655	M919683
GASKET PVB20/29	1	MPN102623	M245976

**SUNDSTRAND® MSPV20 Series**

DESCRIPTION	QTY.	SERIES 20 (SPV20)	
		METARIS #	ALTERNATIVE #
ROTATING GROUP	1	MPN091075	M510149
VALVE PLATE - RH	1	MPN090149	M9200428
VALVE PLATE - LH	1	MPN090148	M9200429
MOTOR PLATE	1	MPN090128	M9200430
THRUST PLATE	1	MPN090137	M9200159
BEARING PLATE	1	MPN090136	M9200216
BALL GUIDE	1	MPN090147	M9200124
SLIPPER RETAINER	1	MPN090146	M9200158
PISTON (EACH)	9 REQ.	MPN090145	M9200499/ M501528
CYLINDER BLOCK	1	MPN090144	M49155
PUMP GASKET KIT (Includes Shim Kit)	1	MPN090645	M9510224
MOTOR GASKET KIT FIXED (Includes Shim Kit)	1	MPN090942	M9510225
MOTOR GASKET KIT VARIABLE (Includes Shim Kit)	1	MPN090947	M9510226
SHAFT SEAL	1	MPN080160	M9510189
DESCRIPTION	QTY.	SERIES 21 (SPV21)	
		METARIS #	ALTERNATIVE #
ROTATING GROUP	1	MPN091076	M9210696
VALVE PLATE - RH	1	MPN090143	M9210478
VALVE PLATE - LH	1	MPN090142	M9210479
MOTOR PLATE	1	MPN090127	M9210480
THRUST PLATE	1	MPN090150	M9210293
BEARING PLATE	1	MPN090135	M9210658
BALL GUIDE	1	MPN080163	M9210219
SLIPPER RETAINER	1	MPN080162	M9210292
PISTON - WELDED (EACH)	9 REQ.	MPN093420	M9510408-0010
CYLINDER BLOCK	1	MPN090141	M9210576
PUMP GASKET KIT (Includes Shim Kit)	1	MPN090646	M9510227
MOTOR GASKET KIT FIXED (Includes Shim Kit)	1	MPN090943	M9510228
MOTOR GASKET KIT VARIABLE (Includes Shim Kit)	1	MPN090948	M9510229
SHAFT SEAL	1	MPN080160	M9510189
DESCRIPTION	QTY.	SERIES 22 (SPV22)	
		METARIS #	ALTERNATIVE #
ROTATING GROUP	1	MPN091077	M9221448
VALVE PLATE - RH	1	MPN090140	M9220990
VALVE PLATE - LH	1	MPN090139	M9220991
MOTOR PLATE	1	MPN090126	M9220992
THRUST PLATE	1	MPN090138	M9220626
BEARING PLATE	1	MPN090076	M9221335

**SUNDSTRAND® MSPV20 Series**

DESCRIPTION	QTY.	SERIES 22 (SPV22)	
		METARIS #	ALTERNATIVE #
BALL GUIDE	1	MPN080173	M9220500
SLIPPER RETAINER	1	MPN080172	M9220628
PISTON - WELDED (EACH)	9 REQ.	MPN093421	M9510408-0001
CYLINDER BLOCK	1	MPN090134	M9221102
PUMP GASKET KIT (Includes Shim Kit)	1	MPN090647	M9510230
MOTOR GASKET KIT FIXED (Includes Shim Kit)	1	MPN090944	M9510231
MOTOR GASKET KIT VARIABLE (Includes Shim Kit)	1	MPN090949	M9510232
SHAFT SEAL	1	MPN080160	M9510189
SHAFT - 21 Tooth	1	MPN090660	M9220417
DESCRIPTION	QTY.	SERIES 23 (SPV23)	
		METARIS #	ALTERNATIVE #
ROTATING GROUP	1	MPN091078	M9230973
VALVE PLATE - RH	1	MPN090133	M9230560
VALVE PLATE - LH	1	MPN090132	M9230561
MOTOR PLATE	1	MPN090125	M9230562
THRUST PLATE	1	MPN080404	M9230235
BEARING PLATE	1	MPN090077	M9230881
BALL GUIDE	1	MPN080405	M9230158
SLIPPER RETAINER	1	MPN080403	M9230234
PISTON - WELDED (EACH)	9 REQ.	MPN093422	M9510408-0002
CYLINDER BLOCK	1	MPN080401	M9230651
PUMP GASKET KIT (Includes Shim Kit)	1	MPN090648	M9510233
MOTOR GASKET KIT FIXED (Includes Shim Kit)	1	MPN090945	M9510234
MOTOR GASKET KIT VARIABLE (Includes Shim Kit)	1	MPN090950	M9510235
SHAFT SEAL	1	MPN090075	M9510190
SHAFT - 14 Tooth	1	MPN090661	M9230476
SHAFT - 21 Tooth	1	MPN090659	M9230325
DESCRIPTION	QTY.	SERIES 24 (SPV24)	
		METARIS #	ALTERNATIVE #
ROTATING GROUP	1	MPN091079	M9240641
VALVE PLATE - RH	1	MPN090131	M9240277
VALVE PLATE - LH	1	MPN090130	M9240278
MOTOR PLATE	1	MPN090124	M9240279
THRUST PLATE	1	MPN080409	M9240124
BEARING PLATE	1	MPN090129	M9240560
BALL GUIDE	1	MPN080410	M9240097
SLIPPER RETAINER	1	MPN080408	M9240125
PISTON (EACH)	9 REQ.	MPN093423	M9510408-0004
CYLINDER BLOCK	1	MPN080406	M9240394
PUMP GASKET KIT (Includes Shim Kit)	1	MPN090649	M9510236
MOTOR GASKET KIT FIXED (Includes Shim Kit)	1	MPN090946	M9510237
MOTOR GASKET KIT VARIABLE (Includes Shim Kit)	1	MPN090951	M9510238
SHAFT SEAL	1	MPN090075	M9510190



SUNDSTRAND® MPV90 Series

DESCRIPTION	QTY.	SERIES 90 (46cc)	
		METARIS #	ALTERNATIVE #
PISTON (EACH)	9 REQ.	MPN103490	M367672
CYLINDER BLOCK	1	MPN103491	M4460832/M4460583
VALVE PLATE RH	1	MPN103492	M4460417
VALVE PLATE LH	1	MPN103493	M4460418
VALVE PLATE M	1	MPN103494	M4460119
RETAINER PLATE	1	MPN103495	M4460009
BALL GUIDE	1	MPN103496	M4460180
DESCRIPTION	QTY.	SERIES 90 (55cc)	
		METARIS #	ALTERNATIVE #
ROTATING GROUP - PUMP	1	MPN093054	M80020S07
ROTATING GROUP - MOTOR	1	MPN093666	M80030S07
CYLINDER BLOCK Assy - W/O Speed Ring	1	MPN093667	M8000128
CYLINDER BLOCK Assy - W/ Speed Ring	1	MPN093668	M8000336
PISTON (EACH)	9 REQ.	MPN093064	M367672
VALVE PLATE, -2 DEGREE	1	MPN093056	M8000071
VALVE PLATE (PV90 R-55) CP15+0.5	1	MPN013158	M508125
MOTOR PLATE	1	MPN093060	M8000132
SWASH PLATE	1	MPN101283	M8000188
SADDLE BEARING & SEAT ASSY	1	MPN093676	M8000131
THRUST PLATE (Motor)	1	MPN093669	M8000374
RETAINER SLIPPER GUIDE	1	MPN095313	M8000072
SHIM-SLIPPER GUIDE RETAINER	1	MPN095316	M8000073
DESCRIPTION	QTY.	SERIES 90 (75cc)	
		METARIS #	ALTERNATIVE #
ROTATING GROUP - PUMP	1	MPN093053	M81020S07
ROTATING GROUP - MOTOR	1	MPN093681	M81030S07
CYLINDER BLOCK Assy - W/O Speed Ring	1	MPN093682	M8100267
CYLINDER BLOCK Assy - W/ Speed Ring	1	MPN093683	M8100525
PISTON (EACH)	9 REQ.	MPN093063	M708230
VALVE PLATE, +0 DEGREE	1	MPN093057	M518805
VALVE PLATE P	1	MPN103498	M501332/M8100590
SWASH PLATE	1	MPN103499	M8100367
MOTOR PLATE	1	MPN093059	M8100278
SWASH PLATE	1	MPN103500	M8100299
SADDLE BEARING & SEAT ASSY	1	MPN093691	M8700048
THRUST PLATE (Motor)	1	MPN093685	M8100156
RETAINER SLIPPER GUIDE	1	MPN095314	M8100271
SHIM-SLIPPER GUIDE RETAINER	1	MPN095317	M8100272
DESCRIPTION	QTY.	SERIES 90 (100cc)	
		METARIS #	ALTERNATIVE #
ROTATING GROUP - PUMP	1	MPN093052	M82020S07
ROTATING GROUP - MOTOR	1	MPN093650	M82030S07
CYLINDER BLOCK Assy - W/O Speed Ring	1	MPN093651	M8200124
CYLINDER BLOCK Assy - W/ Speed Ring	1	MPN093652	M8200277

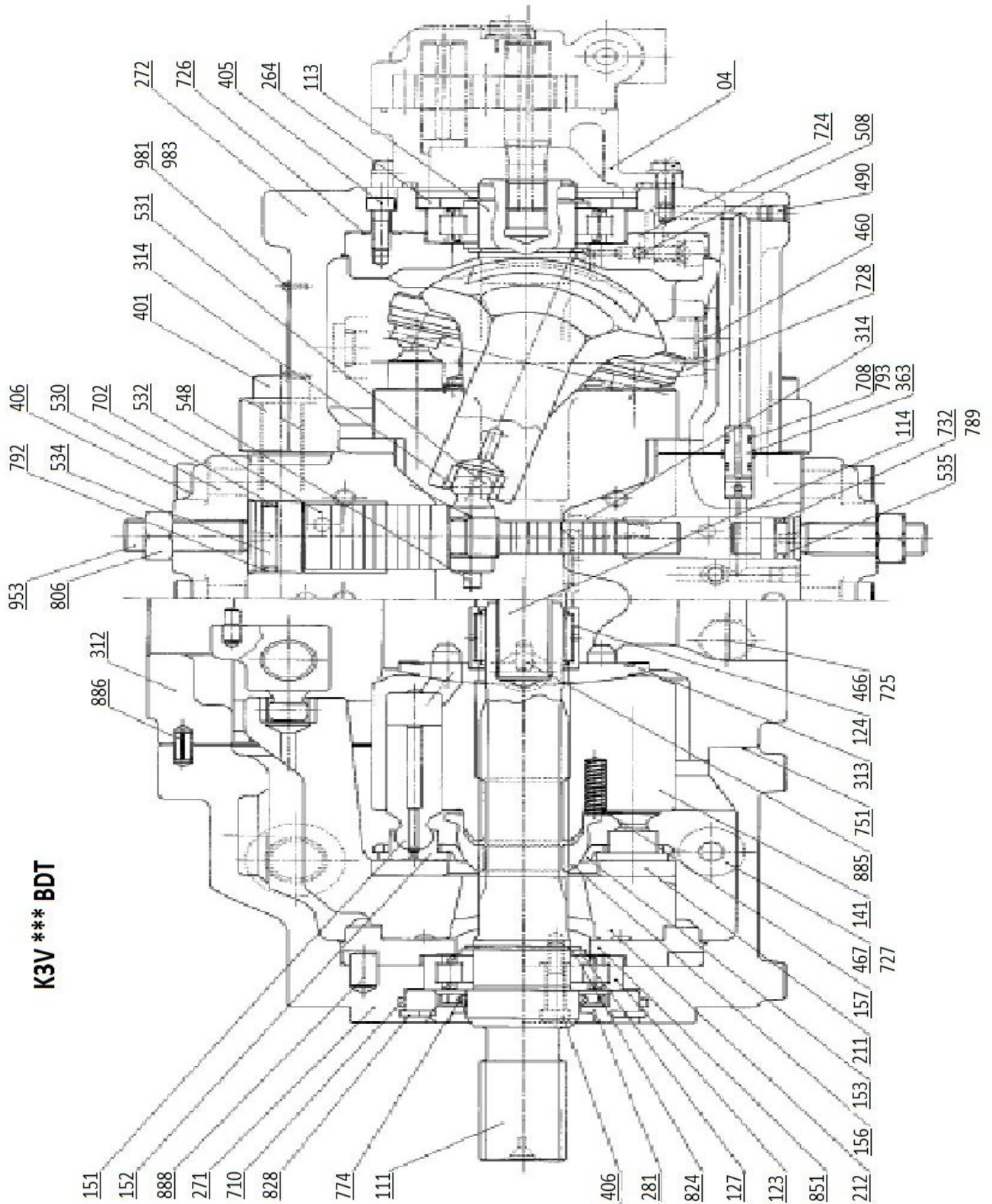
DESCRIPTION	QTY.	SERIES 90 (100cc)	
		METARIS #	ALTERNATIVE #
PISTON (EACH)	9 REQ.	MPN093062	M364000
VALVE PLATE, - 2 DEGREE	1	MPN093055	M518994
VALVE PLATE (PV90 R-55) CP15+0.5	1	MPN013159	M508806
SWASH PLATE	1	MPN103502	M8200232
MOTOR PLATE	1	MPN093058	M8200134
SHAFT 13T/25T	1	MPN103503	M8200170
SHAFT 23T/25T	1	MPN103504	M8200169
SADDLE BEARING & SEAT ASSY	1	MPN093064	M8200053
THRUST PLATE (Motor)	1	MPN093654	M8200167
RETAINER SLIPPER GUIDE	1	MPN095315	M8200128
SHIM-SLIPPER GUIDE RETAINER	1	MPN095318	M8200129



**LINDE® MHPR100**

DESCRIPTION	QTY.	MHPR100	
		METARIS #	REFERENCE #
DRIVE SHAFT	1	MPN025000	M2543230111
VALVE PLATE - LEFT	1	MPN093639	M2543240205
VALVE PLATE - RIGHT	1	MPN025002	M2543240201
CYLINDER BARREL	1	MPN025008	M2343200805
BALL GUIDE & RETAINER PLATE	1	MPN025007	M2343201400
PISTON (EACH)	9 REQ.	MPN025001	M2343200401
SPRING	1	MPN093640	M9215619
SPACER	1	MPN093641	M9144004
SPACER	1	MPN093642	M9143805
SHIM	1	MPN093643	M92890366
PIN (NEEDLE BEARING)	3	MPN093644	M9517000129
REATER	1	MPN093645	M9456622544
WASHER	1	MPN400080	M9143515
BEARING - REAR CUP	1	MPN091749	M9509000731
BEARING - REAR CONE	1		
BEARING - FRONT CONE	1	MPN091753	M9247305
BEARING - FRONT CUP	1		
SWASH PLATE	1	MPN093646	M2543232010
SUPPORT	1	MPN093647	M9515121
RING (LARGE)	1	MPN091751	M9841004
SERVER PISTON (LARGE)	1	MPN400081	M2543400002
RING (SMALL)	1	MPN093648	M9841005
SERVER PISTON (SMALL)	1	MPN400082	M2543400017
SADDLE BEARING (EACH)	2 REQ	MPN400083	M2543401800
SEAL KIT - SINGLE	1	MPN400084	M2543209900
SEAL KIT - DOUBLE	1	MPN093649	M2543209901

# K3V63BDT Exploded View

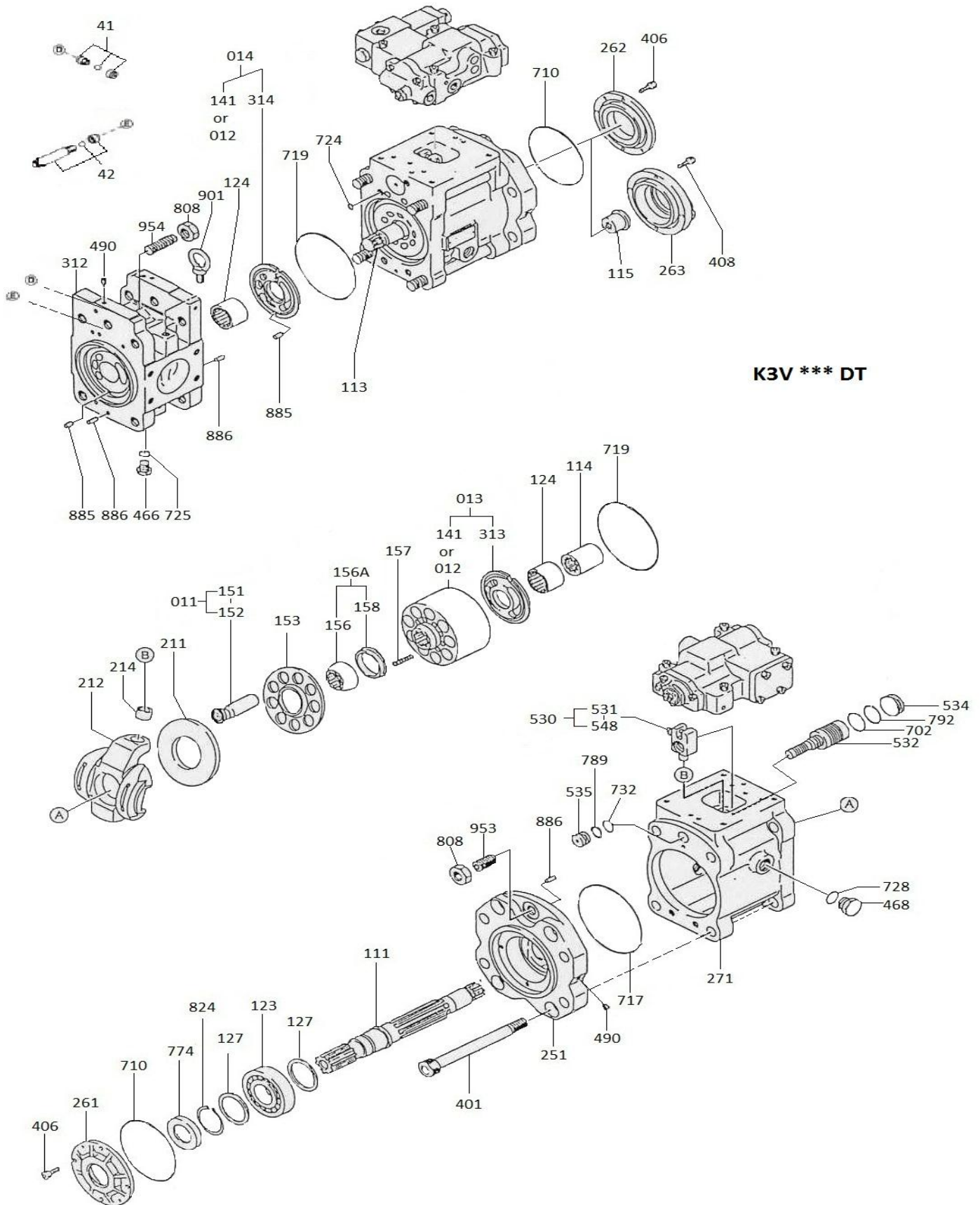




### K3V63BDT Parts & Price List

Item No.	METARIS No.	Reference No.	Description	Unit	Comments
04			Gear Pump Assy.	EA	Case by Case
011 or 150	MPN701000	M29245300454	Piston Assy.	Set of 9	Stock
013			Cylinder Block & Valve Plate (RH)	EA	Not Available
014			Cylinder Block & Valve Plate (LH)	EA	Not Available
210		M29238752732	Swash Plate Assy.	EA	Not Available
30		M2953802301	Swash Plate		Not Sold Separately
251		M2923800752	Swash Plate Support		Not Sold Separately
111			Shaft - Front	EA	Special Order
113			Shaft - Rear	EA	Special Order
123			Bearing - Roller (Front)	EA	Special Order
124	MPN701009	MPAJ502809BKD	Bearing - Needle (Rear)	EA	Stock
127	MPN701010	M38600127A	Spacer, Bearing	EA	Stock
153	MPN701011	M2943800424	Set (Retainer) Plate	EA	Stock
156	MPN701012	M29246100029	Ball Guide w/spacer)	EA	Stock
157	MPN701013	M2953801623	Block Springs	Set of 9	Stock
211	MPN701014	M2953801742	Shoe (Thrust) Plate	EA	Stock
261			Cover (F), Seal	EA	Not Available
530			Tilting Pin Assy.	EA	Special Order
532			Servo Piston Assy.	EA	Special Order
534	MPN701029	M29251100057	Stopper (L)	EA	Stock
535			Stopper (S)	EA	Special Order
901	MPN701035	MOEBM10	Bolt, Eye	EA	Stock
953			Screw, Set	EA	Special Order
SK	MPN701038		SEAL KIT - Not Complete (DT Kit)	EA	Stock

# K3V63DT Exploded View



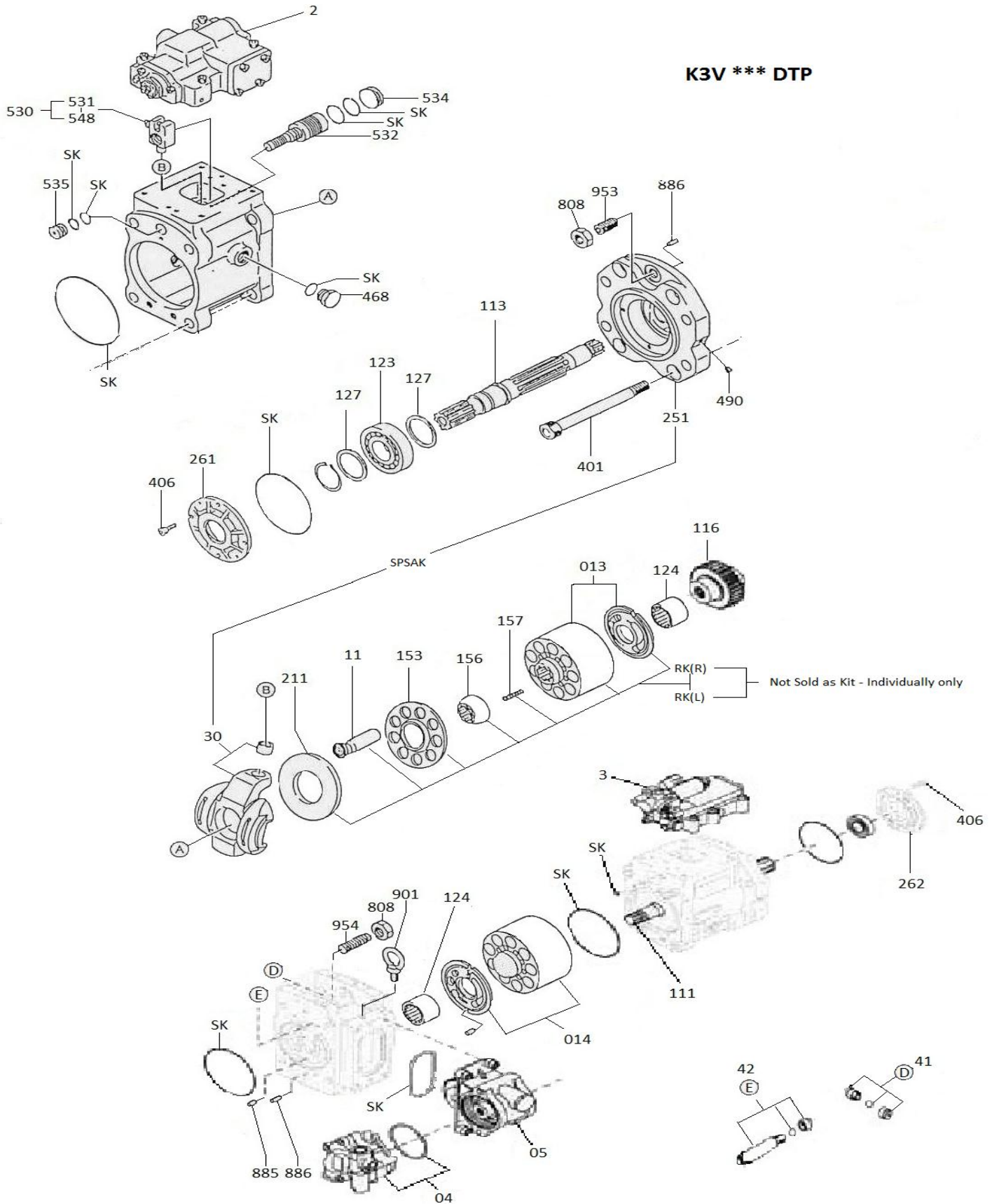
### K3V63DT Parts & Price List

Item No.	METARIS No.	Reference No.	Description	Unit	Comments
011 or 150	MPN701000	M29245300454	Piston Assy.	Set of 9	Stock
151			Piston		Not Sold Separately
152			Shoe		Not Sold Separately
013	MPN701001	M2953802827	Cylinder Block & Valve Plate (RH)	EA	Stock
014	MPN701002	M2953802828	Cylinder Block & Valve Plate (LH)	EA	Stock
141 or 012		M29243700084	Cylinder Block	EA	Not Sold Separately
313		M2933800749	Valve Plate (RH)	EA	Not Sold Separately
314		M2933800750	Valve Plate (LH)	EA	Not Sold Separately
41			Check Valve 1 (Short)	EA	Special Order
42			Check Valve 2 (Long)	EA	Special Order
111	MPN701003	M2943800426	Shaft - Front (14 Tooth)	EA	Stock
113	MPN701004	M2437U188S113	Shaft - Rear (12 Tooth)	EA	Stock
113	MPN701005	M2933800889	Shaft - Rear (13 Tooth)	EA	Stock
114			Coupling, Spline	EA	Special Order
115			Plug	EA	Special Order
123	MPN701008	MPNUP307R1KD	Bearing - Roller (Front)	EA	Stock
124	MPN701009	MPAJ502809BKD	Bearing - Needle (Rear)	EA	Stock
127	MPN701010	M38600127A	Spacer, Bearing	EA	Stock
153	MPN701011	M2943800424	Set (Retainer) Plate	EA	Stock
156A	MPN701012	M29246100029	Ball Guide w/spacer)	EA	Stock
156			Ball Guide		Not Sold Separately
158	MPN701044	M2953801624	Spacer	EA	Stock
157	MPN701013	M2953801623	Block Springs	Set of 9	Stock
211	MPN701014	M2953801742	Shoe (Thrust) Plate	EA	Stock
212 & 251	MPN701015	M29238752732	Swash Plate Assy.	EA	Stock
212		M2953802301	Swash Plate		Not Sold Separately
214		Included w/ 212	Bush, Tilting		Not Sold Separately
251		M2953802301	Swash Plate Support		Not Sold Separately
261	MPN701016	M2943800470	Cover (F), Seal	EA	Stock
262			Cover, (R,) Seal	EA	Special Order
263			Cover, (R,) Seal	EA	Special Order
271	MPN701019	M29232500359	Casing, Pump	EA	Stock
312	MPN701020	M2923800797F	Block, Valve	EA	Stock
401	MPN701021	M2953801630	Screw, Hex. S.H.C.	EA	Stock
406			Screw, Hex. S.H.C.	EA	Special Order
408			Screw, Hex. S.H.C.	EA	Special Order
466			Plug	EA	Special Order
468			Plug	EA	Special Order
490			Plug	EA	Special Order
530	MPN701027	M2953801787	Tilting Pin Assy.	EA	Stock
532	MPN701028	M29244900030	Servo Piston Assy.	EA	Stock
534	MPN701029	M29251100057	Stopper (L)	EA	Stock
534	MPN701030	M2953801631	Stopper (L)	EA	Stock
535	MPN701031	M2953801632	Stopper (S)	EA	Stock
702 - 732			O'Ring	EA	Part of SEAL KIT
774			Seal, Oil	EA	Part of SEAL KIT
789			Ring, Back-up	EA	Part of SEAL KIT

### K3V63DT Parts & Price List

Item No.	METARIS No.	Reference No.	Description	Unit	Comments
792			Ring, Back-up	EA	Part of SEAL KIT
824			Ring, Stop	EA	Special Order
885			Pin	EA	Special Order
886			Pin, Spring	EA	Special Order
901	MPN701035	MOEBM10	Bolt, Eye	EA	Stock
953			Screw, Set	EA	Special Order
954	MPN701037	M2953801634	Screw, Set	EA	Stock
	MPN701038		SEAL KIT - Pump only	EA	Stock
	MPN701039	M29024401517A	Gear Pump Assy. (13 tooth 10CC)	EA	Stock
	MPN701040	M29024401665F	Gear Pump Assy. (13 tooth 15CC)	EA	Stock
	MPN701041F		Rotating Group (RH)	EA	Stock
	MPN701142F		Rotating Group (LH)	EA	Stock

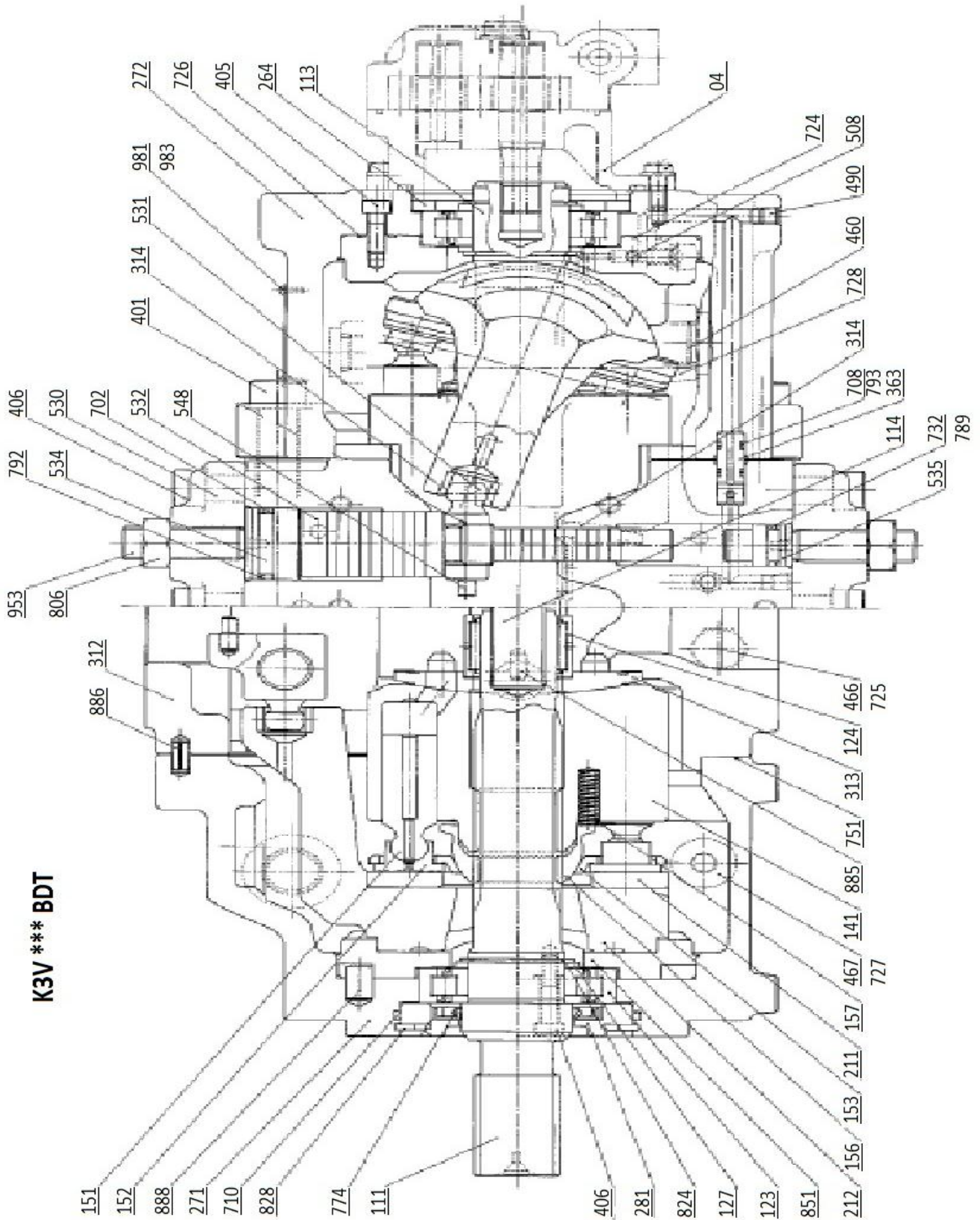
# K3V63DTP Exploded View



### K3V63DTP Parts & Price List

Item No.	METARIS No.	Reference No.	Description	Unit	Comments
02			Regulator	EA	Case by Case
03			Regulator	EA	Case by Case
04	MPN701039	M29024401517A	Gear Pump Assy. (13 tooth 10CC)	EA	Stock
05			Assy., PTO	EA	Case by Case
011 or 150	MPN701000	M29245300454	Piston Assy.	Set of 9	Stock
013	MPN701001	M2953802827	Cylinder Block & Valve Plate (RH)	EA	Stock
014	MPN701002	M2953802828	Cylinder Block & Valve Plate (LH)	EA	Stock
SPSAK	MPN701015	M29238752732	Swash Plate Assy.	EA	Stock
30		M2953802301	Swash Plate		Not Sold Separately
251		M2923800752	Swash Plate Support		Not Sold Separately
41			Plug Assy.	EA	Not Available
42			Plug Assy.	EA	Not Available
111	MPN701003	M2943800426	Shaft - Front (14 Tooth)	EA	Stock
113	MPN701004		Shaft - Rear (12 Tooth)	EA	Stock
113	MPN701005	M2933800889	Shaft - Rear(13 Tooth)	EA	Stock
113			Shaft - Rear (Must Check Part #)	EA	Special Order
116			Gear, 1st	EA	Not Available
123	MPN701008	MPNUP307R1KD	Bearing - Roller (Front)	EA	Stock
124	MPN701009	MPAJ502809BKD	Bearing - Needle (Rear)	EA	Stock
127	MPN701010	M38600127A	Spacer, Bearing	EA	Stock
153	MPN701011	M2943800424	Set (Retainer) Plate	EA	Stock
156	MPN701012	M29246100029	Ball Guide w/spacer)	EA	Stock
157	MPN701013	M2953801623	Block Springs	Set of 9	Stock
211	MPN701014	M2953801742	Shoe (Thrust) Plate	EA	Stock
261	MPN701016	M2943800470	Cover (F), Seal	EA	Stock
262			Cover, (R,) Seal	EA	Special Order
401	MPN701021	M2953801630	Screw, Hex. S.H.C.	EA	Stock
406			Screw, Hex. S.H.C.	EA	Special Order
468			Plug	EA	Special Order
490			Plug	EA	Special Order
530	MPN701027	M2953801787	Tilting Pin Assy.	EA	Stock
532	MPN701028	M29244900030	Servo Piston Assy.	EA	Stock
534	MPN701029	M2951100057	Stopper (L)	EA	Stock
535	MPN701031	M2953801632	Stopper (S)	EA	Stock
901	MPN701035	MOEBM10	Bolt, Eye	EA	Stock
953			Screw, Set	EA	Special Order
954	MPN701037	M2953801634	Screw, Set	EA	Stock
SK	MPN701038		SEAL KIT - Not Complete (DT Kit)	EA	Stock
	MPN701041F		Rotating Group (RH)	EA	Stock
	MPN701142F		Rotating Group (LH)	EA	Stock

# K3V112BDT Exploded View



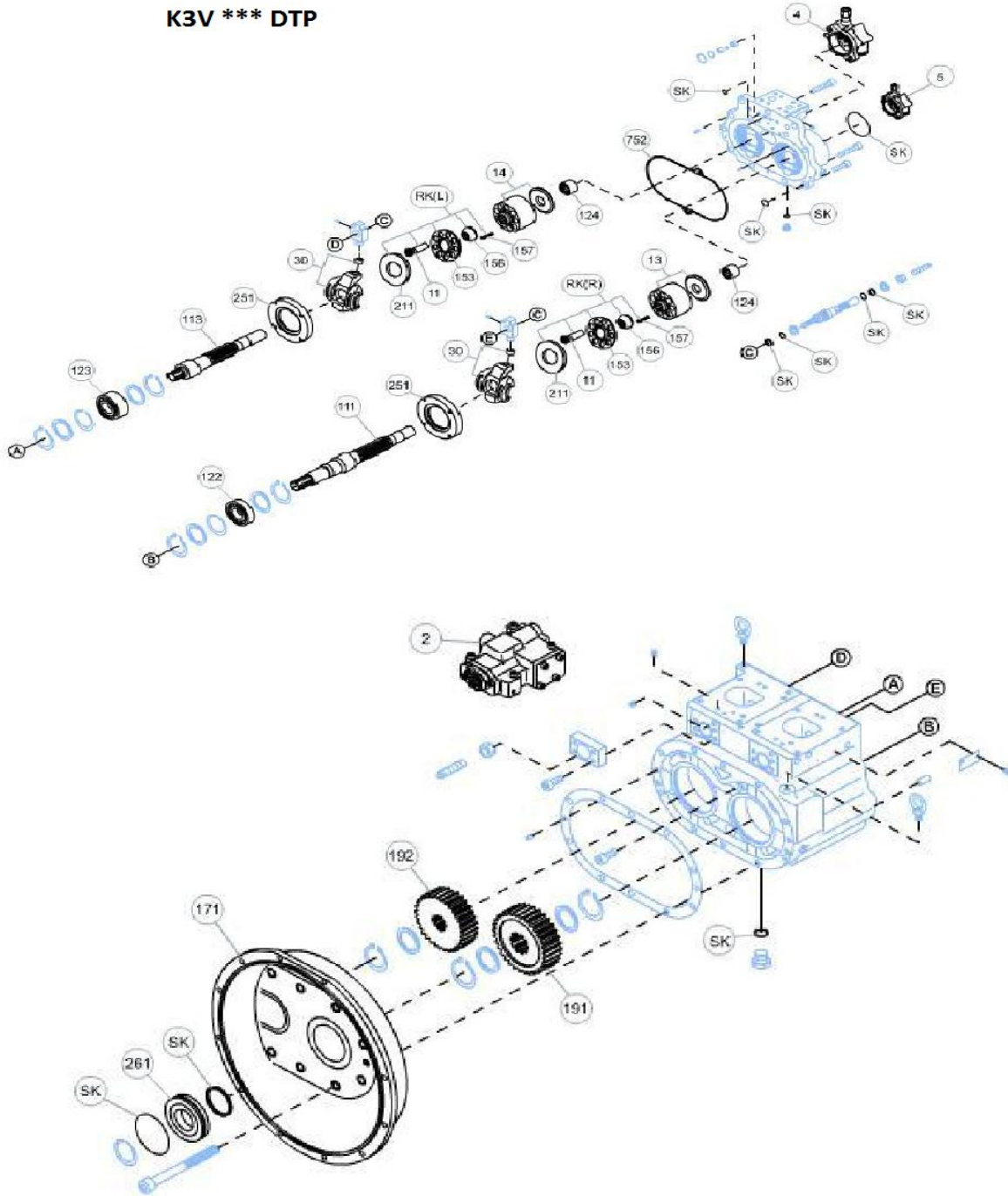
### K3V112BDT Parts & Price List

Item No.	METARIS No.	Reference No.	Description	Unit	Comments
04			Gear Pump Assy.	EA	Not Available
011 or 150	MPN701100	M29245300456	Piston Assy.	Set of 9	Stock
151			Piston		Not Sold Separately
152			Shoe		Not Sold Separately
013 or 140	MPN701101	M2953801893	Cylinder Block & Valve Plate (RH)	EA	Stock
014 or 142	MPN701102	M2953801864	Cylinder Block & Valve Plate (LH)	EA	Stock
012 or 141		M2933800787	Cylinder Block	EA	Not Sold Separately
313		M3890R313N	Valve Plate (RH)	EA	Not Sold Separately
314		M3890L314N	Valve Plate (LH)	EA	Not Sold Separately
111			Shaft - Front	EA	Not Available
113			Shaft - Rear	EA	Not Available
114			Coupling, Spline	EA	Not Available
123			Bearing - Roller (Front)	EA	Special Order
124	MPN701112	MPAJ503518KD	Bearing - Needle (Rear)	EA	Stock
127	MPN701113	M38800127A	Spacer, Bearing	EA	Stock
153	MPN701114	M29241100056	Set (Retainer) Plate	EA	Stock
156	MPN701115	M29246100030	Ball Guide	EA	Stock
157	MPN701117	M2953801769	Block Springs	Set of 9	Stock
211	MPN701118	M6871000211K	Shoe (Thrust) Plate	EA	Stock
210			Swash Plate	EA	Not Available
251			Swash Plate Support	EA	Not Available
261			Cover (F), Seal - 40MM	EA	Not Available
263			Cover, (R,) Seal	EA	Special Order
271			Casing, Pump	EA	Special Order
312			Block, Valve	EA	Not Available
325	MPN701127	M2933800928	Valve Casing	EA	Stock
530			Cover, Servo	EA	Special Order
532			Servo Piston Assy.	EA	Special Order
901	MPN701035	MOEBM10	Bolt, Eye	EA	Stock
SK	MPN701147		SEAL KIT - Not Complete (DT Kit)	EA	Stock
	MPN701041F		Rotating Group (RH)	EA	Stock
	MPN701142F		Rotating Group (LH)	EA	Stock



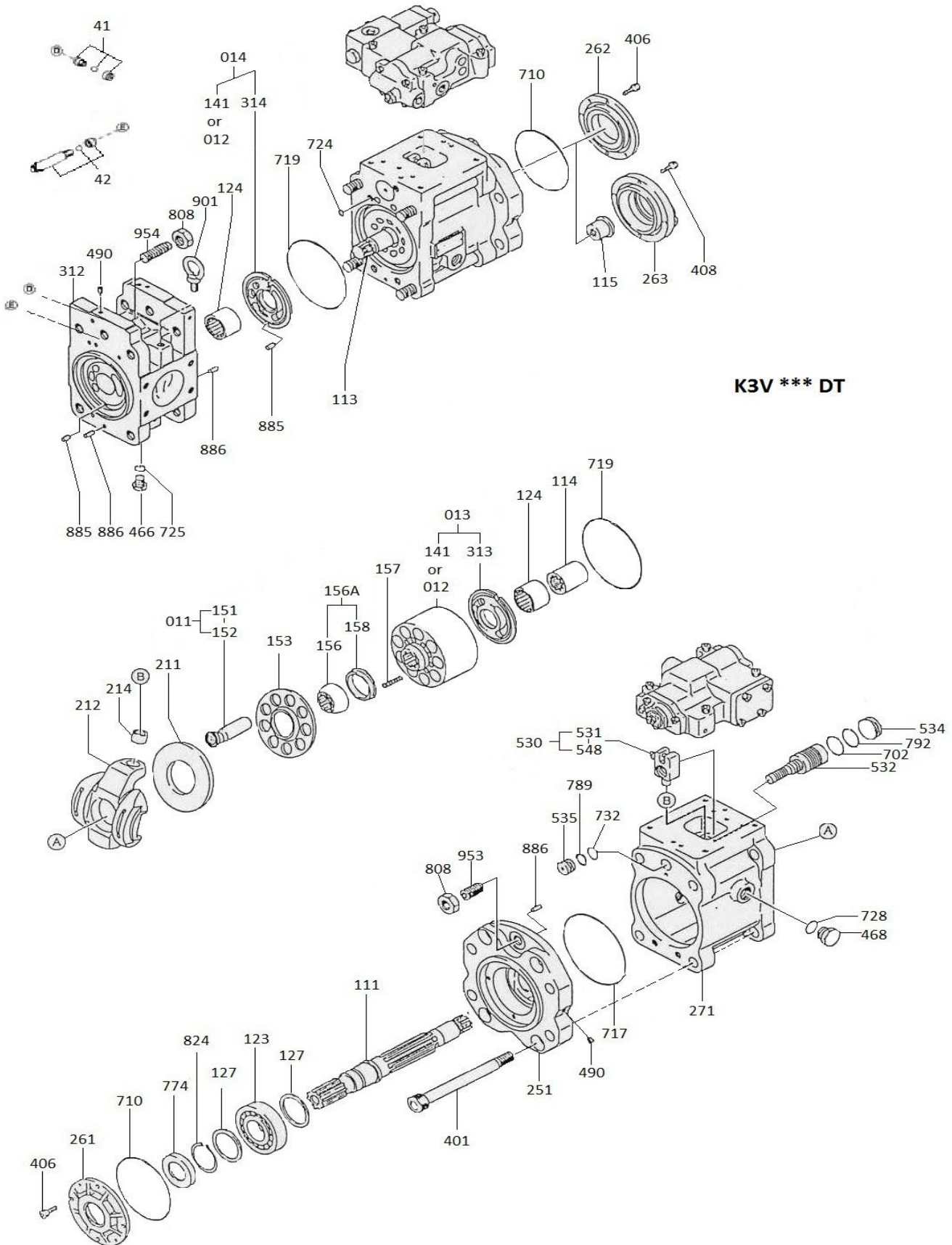
# K3V112DP Exploded View

K3V \*\*\* DTP





# K3V112DT Exploded View



### K3V112DT Parts & Price List

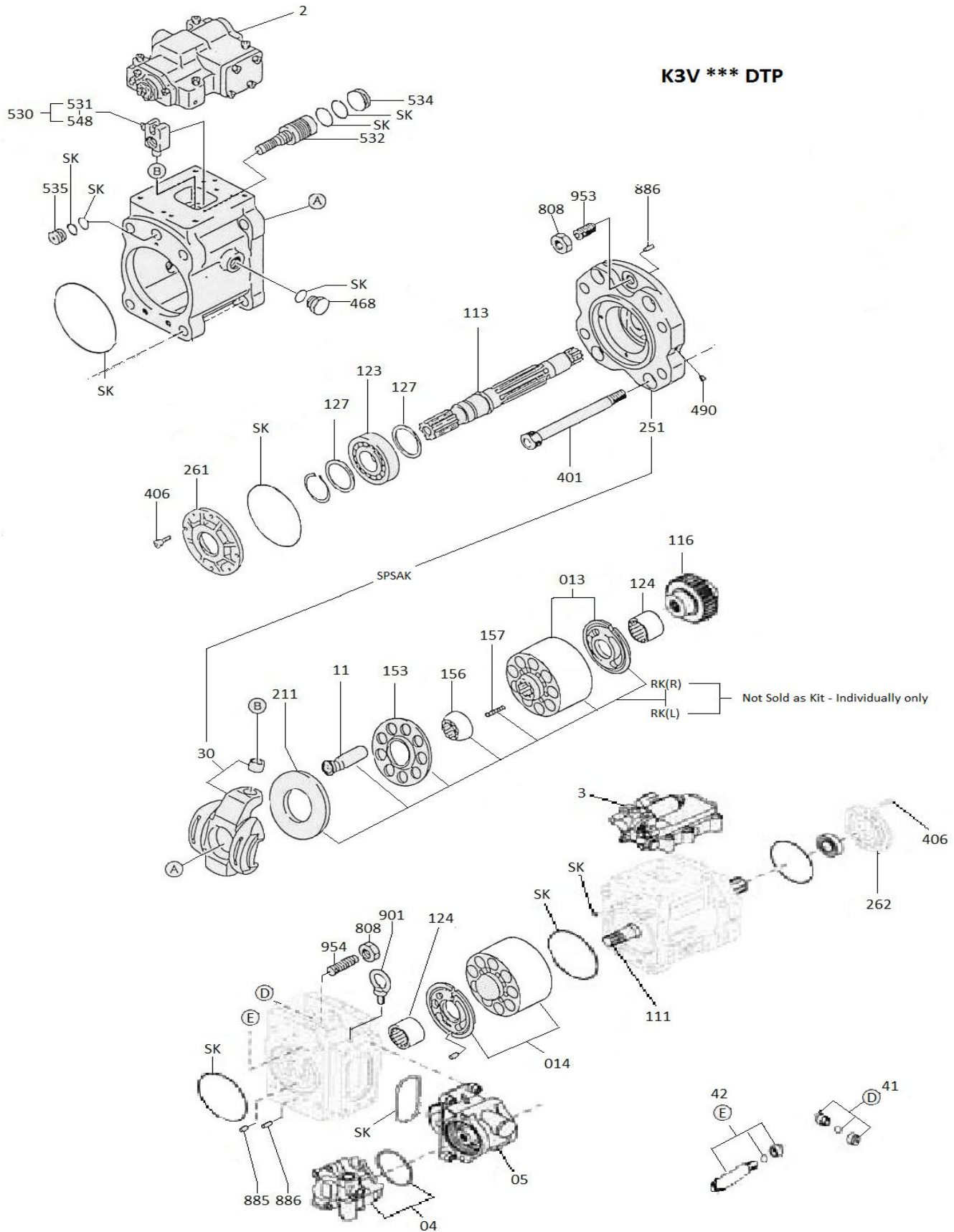
Item No.	METARIS No.	Reference No.	Description	Unit	Comments
011 or 150	MPN701100	M29245300456	Piston Assy.	Set of 9	Stock
151			Piston		Not Sold Separately
152			Shoe		Not Sold Separately
013	MPN701101	M2953801893	Cylinder Block & Valve Plate (RH)	EA	Stock
014	MPN701102	M2953801894	Cylinder Block & Valve Plate (LH)	EA	Stock
141 or 012			Cylinder Block	EA	Not Sold Separately
313			Valve Plate (RH)	EA	Not Sold Separately
314			Valve Plate (LH)	EA	Not Sold Separately
41	MPN701103	M2953802048	Check Valve 1 (Short)	EA	Stock
42	MPN701104	M2953802049	Check Valve 2 (Long)	EA	Stock
111	MPN701105	M2933800774	Shaft - Front (12 Tooth)	EA	Stock
111	MPN701106	M2933800982	Shaft - Front (14 Tooth)	EA	Stock
113	MPN701107	M2933800884	Shaft - Rear (12 Tooth)	EA	Stock
113	MPN701108	M2933800883	Shaft - Rear (13 Tooth)	EA	Stock
114	MPN701109	M2953801763	Coupling, Spline	EA	Stock
115			Plug	EA	Special Order
123	MPN701111	MPNUP308R1CS5K	Bearing - Roller (Front)	EA	Stock
124	MPN701112	MPAJ503518KD	Bearing - Needle (Rear)	EA	Stock
127	MPN701113	M38800127A	Spacer, Bearing	EA	Stock
153	MPN701114	M29241100056	Set (Retainer) Plate	EA	Stock
156A	MPN701115	M29246100030	Ball Guide w/spacer)	EA	Stock
156			Ball Guide		Not Sold Separately
158	MPN701116	M2953801764	Spacer	EA	Stock
157	MPN701117	M2953801769	Block Springs	Set of 9	Stock
211	MPN701118	M6871000211	Shoe (Thrust) Plate	EA	Stock
212 & 251	MPN701119	M29238809813	Swash Plate Assy.	EA	Stock
30 or 212		M2953801990	Swash Plate		Not Sold Separately
214		MP1R2025125	Bush, Tilting		Not Sold Separately
251		M2923800809	Swash Plate Support		Not Sold Separately
261	MPN701120	M2943800572	Cover (F), Seal - 45MM	EA	Stock
261	MPN701121	M2943800464	Cover (F), Seal - 40MM	EA	Stock
262			Cover, (R,) Seal	EA	Special Order
263			Cover, (R,) Seal	EA	Special Order
271	MPN701124	M2923800807	Casing, Pump	EA	Special Order
271	MPN701125	M29232500338	Casing, Pump	EA	Stock
312	MPN701126	M2923801021	Block, Valve	EA	Stock
325	MPN701127	M2933800928	Valve Casing	EA	Stock
325	MPN701128	M29232300012	Valve Casing	EA	Stock
325	MPN701129	M29232300032	Valve Casing	EA	Stock
401	MPN701130	M2953801767	Screw, Hex. S.H.C.	EA	Stock
406			Screw, Hex. S.H.C.	EA	Special Order
408			Screw, Hex. S.H.C.	EA	Special Order
466			Plug	EA	Special Order
468			Plug	EA	Special Order
490			Plug	EA	Special Order
530	MPN701136	M2953801989	Tilting Pin Assy.	EA	Stock
532	MPN701137	M2943800462	Servo Piston Assy.	EA	Stock

### K3V112DT Parts & Price List

Item No.	METARIS No.	Reference No.	Description	Unit	Comments
534	MPN701138	M29251100318	Stopper (L)	EA	Stock
534	MPN701139	M2953801761	Stopper (L)	EA	Stock
535	MPN701140	M2953801762	Stopper (S)	EA	Stock
702 - 792			O'Ring Kit Materials	EA	Part of SEAL KIT
824			Ring, Stop	EA	Special Order
885			Pin	EA	Special Order
886			Pin, Spring	EA	Special Order
901	MPN701035	MOEBM10	Bolt, Eye	EA	Stock
953			Screw, Set	EA	Special Order
954	MPN701146	M2953801768	Screw, Set	EA	Stock
	MPN701147		SEAL KIT - Pump only - 40MM	EA	Stock
	MPN701148		SEAL KIT - Pump only - 45 MM	EA	Stock
	MPN701149	M29024400389	Gear Pump Assy. (13 tooth 10CC)	EA	Stock
	MPN701150	M29024401666A	Gear Pump Assy. (13 tooth 15CC)	EA	Stock
	MPN701151		Gear Pump Assy. (12 tooth 15CC)	EA	Special Order
	MPN701041F		Rotating Group (RH)	EA	Stock
	MPN701142F		Rotating Group (LH)	EA	Stock

# K3V112DTP Exploded View

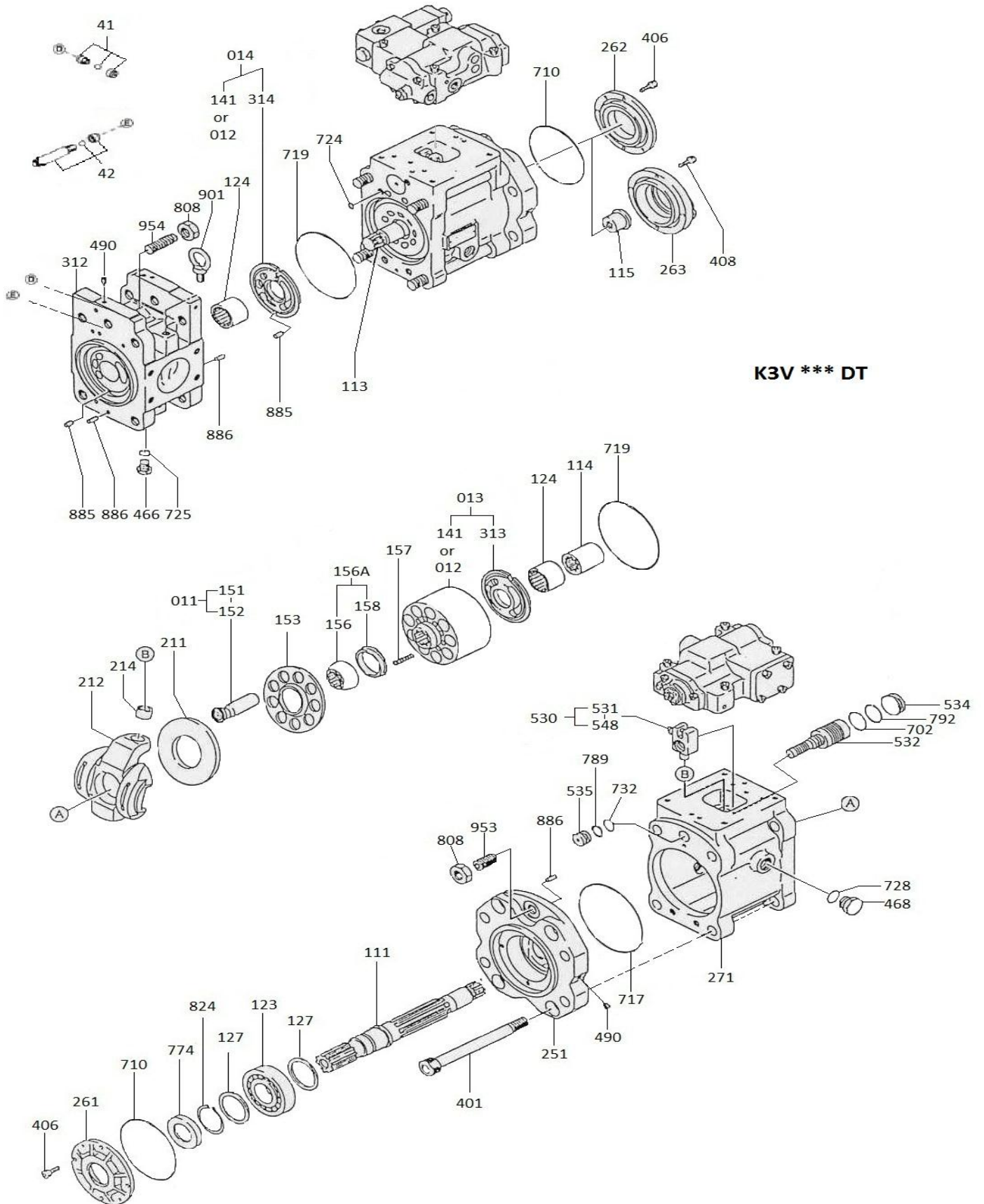
K3V \*\*\* DTP



### K3V112DTP Parts & Price List

Item No.	METARIS No.	Reference No.	Description	Unit	Comments
02			Regulator	EA	Case by Case
03			Regulator	EA	Case by Case
04			Gear Pump Assy.	EA	Case by Case
05			Assy., PTO	EA	Case by Case
011 or 150	MPN701100	M29245300456	Piston Assy.	Set of 9	Stock
013	MPN701101	M2953801893	Cylinder Block & Valve Plate (RH)	EA	Stock
014	MPN701102	M2953801894	Cylinder Block & Valve Plate (LH)	EA	Stock
SPSAK	MPN701119	M29238809813	Swash Plate Assy.	EA	Stock
30		M2953801990	Swash Plate		Not Sold Separately
251		M2923800809	Swash Plate Support		Not Sold Separately
41	MPN701103	M2953802048	VALVE,CHECK1 SUB	EA	Stock
42	MPN701104	M2953802049	VALVE,CHECK2 SUB	EA	Stock
111	MPN701106	M2933800982	Shaft - Front (14 Tooth)	EA	Stock
113	MPN701108	M2933800883	Shaft - Rear(13 Tooth)	EA	Stock
113			Shaft - Rear (Must Check Part #)	EA	Special Order
116			Gear, 1st	EA	Not Available
123	MPN701111	MPNUP308R1CS5K	Bearing - Roller (Front)	EA	Stock
124	MPN701112	MPAJ503518KD	Bearing - Needle (Rear)	EA	Stock
127	MPN701113	M38800127A	Spacer, Bearing	EA	Stock
153	MPN701114	M29241100056	Set (Retainer) Plate	EA	Stock
156	MPN701115	M29246100030	Ball Guide	EA	Stock
157	MPN701117	M2953801769	Block Springs	Set of 9	Stock
211	MPN701118	M6871000211	Shoe (Thrust) Plate	EA	Stock
261	MPN701120	M2943800572	Cover (F), Seal -45MM	EA	Stock
262			Cover, (R,) Seal	EA	Special Order
325	MPN701129	M29232300032	Valve Casing	EA	Stock
401	MPN701130	M2953801767	Screw, Hex. S.H.C.	EA	Stock
406			Screw, Hex. S.H.C.	EA	Special Order
468			Plug	EA	Special Order
490			Plug	EA	Special Order
530	MPN701136	M2953801989	Tilting Pin Assy.	EA	Stock
532	MPN701137	M2943800462	Servo Piston Assy.	EA	Stock
534	MPN701138	M29251100318	Stopper (L)	EA	Stock
534	MPN701139	M2953801761	Stopper (L)	EA	Stock
535	MPN701140	M2953801762	Stopper (S)	EA	Stock
901	MPN701035	MOEBM10	Bolt, Eye	EA	Stock
953			Screw, Set	EA	Special Order
954	MPN701146	M2953801768	Screw, Set (Adjust)	EA	Stock
SK	MPN701148		SEAL KIT - Not Complete (DT Kit)	EA	Stock
	MPN701041F		Rotating Group (RH)	EA	Stock
	MPN701142F		Rotating Group (LH)	EA	Stock

# K3V140DT Exploded View





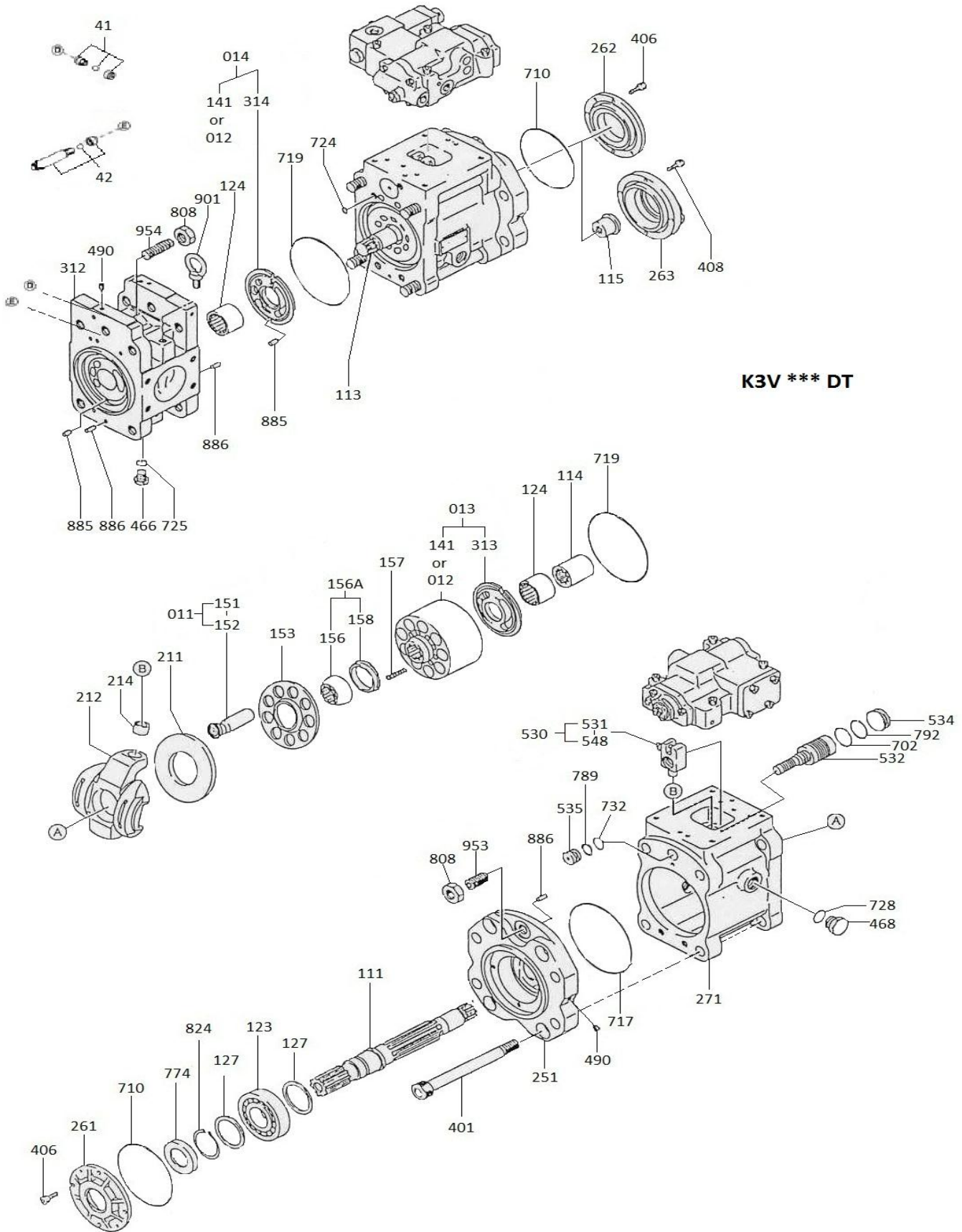
### K3V140DT Parts & Price List

Item No.	METARIS No.	Reference No.	Description	Unit	Comments
011 or 150	MPN701200	M29245300460	Piston Assy.	Set of 9	Stock
151			Piston	EA	Not Sold Separately
152			Shoe	EA	Not Sold Separately
013	MPN701201	M2953801993	Cylinder Block & Valve Plate (RH)	EA	Stock
014	MPN701202	M2953801992	Cylinder Block & Valve Plate (LH)	EA	Stock
141 or 012		M2933800878	Cylinder Block	EA	Not Sold Separately
313		M38A0R313N	Valve Plate (RH)	EA	Not Sold Separately
314		M38A0L314N	Valve Plate (LH)	EA	Not Sold Separately
41	MPN701103	M2953802048	Check Valve 1 (Short)	EA	Stock
42	MPN701104	M2953802049	Check Valve 2 (Long)	EA	Stock
111	MPN701203	M2933801058	Shaft - Front (14 Tooth)	EA	Stock
111	MPN701204	M2933800890	Shaft - Front (17 Tooth)	EA	Stock
113			Shaft - Rear (12 Tooth)	EA	Special Order
113	MPN701205	M2933800903	Shaft - Rear (13 Tooth)	EA	Stock
114	MPN701206	M2953801867	Coupling, Spline	EA	Stock
115			Plug	EA	Special Order
123	MPN701207	MPNUP309ETKD	Bearing - Roller (Front)	EA	Stock
124	MPN701208	MPRNA6932KD	Bearing - Needle (Rear)	EA	Stock
127	MPN701209	M2953802066	Spacer, Bearing	EA	Stock
153	MPN701210	M2943800488	Set (Retainer) Plate	EA	Stock
156A	MPN701211	M29246100031	Ball Guide w/spacer)	EA	Stock
156			Ball Guide		Not Sold Separately
158	MPN701212	M2953801841	Spacer	EA	Stock
157	MPN701213	M2953801842	Block Springs	Set of 9	Stock
211	MPN701214	M371A00AA124	Shoe (thrust) Plate	EA	Stock
212 & 251	MPN701215	M29238936908	Swash Plate Assy.	EA	Stock
212		M2953801991	Swash Plate		Not Sold Separately
214		MP1R222616	Bush, Tilting		Not Sold Separately
251		M2923800936	Swash Plate Support		Not Sold Separately
261	MPN701216	M2943800518	Cover (F), Seal	EA	Stock
262			Cover, (R,) Seal	EA	Special Order
263			Cover, (R,) Seal	EA	Special Order
271		M2923800904	Casing, Pump	EA	Special Order
271	MPN701217	M29232500374	Casing, Pump	EA	Stock
312	MPN701218	M2923801022F	Block, Valve	EA	Stock
325	MPN701127	M2933800928	Valve Casing	EA	Stock
325	MPN701128	M29232300012	Valve Casing	EA	Stock
401	MPN701219	M2953801868	Screw, Hex. S.H.C.	EA	Stock
406			Screw, Hex. S.H.C.	EA	Special Order
408			Screw, Hex. S.H.C.	EA	Special Order
466			Plug	EA	Special Order
468			Plug	EA	Special Order
490			Plug	EA	Special Order
530	MPN701220	M2953801988	Tilting Pin Assy.	EA	Stock
532	MPN701221	M2943800503	Servo Piston Assy.	EA	Stock
534	MPN701222	M2953801865	Stopper (L)	EA	Stock
535	MPN701223	M2953801864	Stopper (S)	EA	Stock

### K3V140DT Parts & Price List

542	MPN701224	M2953802044	Spacer (S)	EA	Stock
702 - 792			O'Ring Kit Materials	EA	Part of SEAL KIT
824			Ring, Stop	EA	Special Order
885			Pin	EA	Special Order
886			Pin, Spring	EA	Special Order
901			Bolt, Eye	EA	Special Order
953			Screw, Set	EA	Special Order
954	MPN701225	M2953801866	Screw, Set	EA	Stock
	MPN701226		SEAL KIT - Pump only	EA	Stock
	MPN701227	M29024400397F	Gear Pump Assy. (13 tooth 10CC)	EA	Stock
	MPN701228	M29024401667A	Gear Pump Assy. (13 tooth 15CC)	EA	Stock
	MPN701229	M29024401676A	Gear Pump Assy. (13 tooth 15CC)	EA	Stock
	MPN701230		Gear Pump Assy. (12 tooth 15CC)	EA	Special Order
	MPN701231F		Rotating Group (RH)	EA	Stock
	MPN701232F		Rotating Group (LH)	EA	Stock

# K3V180DT Exploded View



K3V \*\*\* DT

### K3V180DT Parts & Price List

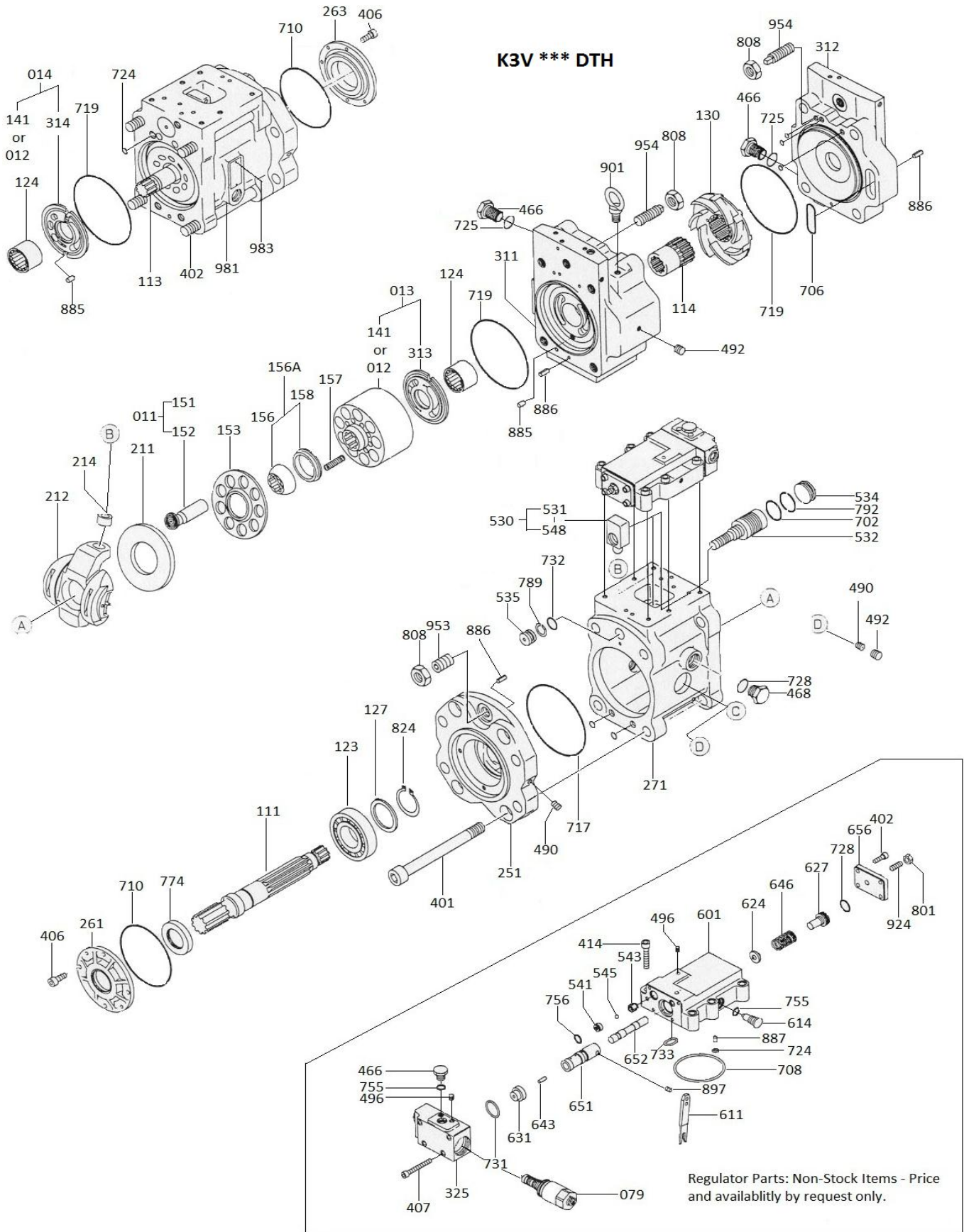
Item No.	METARIS No.	Reference No.	Description	Unit	Comments
011 or 150	MPN701300	M29245300462	Piston Assy.	Set of 9	Stock
151			Piston	EA	Not Sold Separately
152			Shoe	EA	Not Sold Separately
013	MPN701301	M2953802226	Cylinder Block & Valve Plate (RH)	EA	Stock
014	MPN701302	M2953802227	Cylinder Block & Valve Plate (LH)	EA	Stock
141 or 012		M2933801097	Cylinder Block	EA	Not Sold Separately
313		M2933801022	Valve Plate (RH)	EA	Not Sold Separately
314		M2933801023	Valve Plate (LH)	EA	Not Sold Separately
41	MPN701103	M2953802048	Check Valve 1 (Short)	EA	Stock
42	MPN701104	M2953802049	Check Valve 2 (Long)	EA	Stock
111	MPN701203	M2933801058	Shaft - Front (14 Tooth)	EA	Stock
111	MPN701204	M2933800890	Shaft - Front (17 Tooth)	EA	Stock
113			Shaft - Rear (12 Tooth)	EA	Special Order
113	MPN701205	M2933800903	Shaft - Rear (13 Tooth)	EA	Stock
114	MPN701206	M2953801867	Coupling, Spline	EA	Stock
123	MPN701207	MPNUP309ETKD	Bearing - Roller (Front)	EA	Stock
124	MPN701208	MPRNA6932KD	Bearing - Needle (Rear)	EA	Stock
127	MPN701209	M2953802066	Spacer, Bearing	EA	Stock
153	MPN701210	M2943800488	Set (Retainer) Plate	EA	Stock
156A	MPN701303	M29246100032	Ball Guide w/spacer)	EA	Stock
156			Ball Guide		Not Sold Separately
158	MPN701304	M2953802062	Spacer	EA	Stock
157	MPN701305	M2953802061	Block Springs	Set of 9	Stock
211	MPN701214	M371A00AA124	Shoe (Thrust) Plate	EA	Stock
212 & 251	MPN701215	M29238936908	Swash Plate Assy.	EA	Stock
212		M2953801991	Swash Plate		Not Sold Separately
214		MP1R222616	Bush, Tilting		Not Sold Separately
251		M2923800906	Swash Plate Support		Not Sold Separately
261	MPN701216	M2943800518	Cover (F), Seal	EA	Stock
262			Cover, (R,) Seal	EA	Special Order
263			Cover, (R,) Seal	EA	Special Order
271		M2923800904	Casing, Pump	EA	Special Order
271	MPN701217	M29232500374	Casing, Pump	EA	Stock
312	MPN701218	M2923801022F	Block, Valve	EA	Stock
325	MPN701127	M2933800928	Valve Casing	EA	Stock
325	MPN701128	M29232300012	Valve Casing	EA	Stock
401	MPN701219	M2953801868	Screw, Hex. S.H.C.	EA	Stock
406			Screw, Hex. S.H.C.	EA	Special Order
408			Screw, Hex. S.H.C.	EA	Special Order
466			Plug, PF 1/4	EA	Special Order
468			Plug, PF 3/4	EA	Special Order
490			Plug	EA	Special Order
530	MPN701220	M2953801988	Tilting Pin Assy.	EA	Stock
532	MPN701221	M2943800503	Servo Piston Assy.	EA	Stock
534	MPN701222	M2953801865	Stopper (L)	EA	Stock
535	MPN701223	M2953801864	Stopper (S)	EA	Stock
542			Spacer (S)	EA	Special Order

### K3V180DT Parts & Price List

702 - 792			O'Ring Kit Materials	EA	Part of SEAL KIT
808			Nut, Hex	EA	Special Order
824			Ring, Stop	EA	Special Order
885			Pin	EA	Special Order
886			Pin, Spring	EA	Special Order
901			Bolt, Eye	EA	Special Order
953			Screw, Set	EA	Special Order
954	MPN701225	M2953801866	Screw, Set	EA	Stock
	MPN701226		SEAL KIT - Pump only	EA	Stock
	MPN701227	M29024400397F	Gear Pump Assy. (13 tooth 10CC)	EA	Stock
	MPN701228	M29024401667A	Gear Pump Assy. (13 tooth 15CC)	EA	Stock
	MPN701229	M29024401676A	Gear Pump Assy. (13 tooth 15CC)	EA	Stock
	MPN701230		Gear Pump Assy. (12 tooth 15CC)	EA	Special Order
	MPN701231F		Rotating Group (RH)	EA	Stock
	MPN701232F		Rotating Group (LH)	EA	Stock

# K3V180DTH Exploded View

K3V \*\*\* DTH



Regulator Parts: Non-Stock Items - Price and availability by request only.

### K3V180DTH Parts & Price List

Item No.	METARIS No.	Reference No.	Description	Unit	Comments
011 or 150	MPN701300	M29245300462	Piston Assy.	Set of 9	Stock
151			Piston	EA	Not Sold Separately
152			Shoe	EA	Not Sold Separately
013	MPN701301	M2953802226	Cylinder Block & Valve Plate (RH)	EA	Stock
014	MPN701302	M2953802227	Cylinder Block & Valve Plate (LH)	EA	Stock
141 or 012		M2933801097	Cylinder Block	EA	Not Sold Separately
313		M2933801022	Valve Plate (RH)	EA	Not Sold Separately
314		M2933801023	Valve Plate (LH)	EA	Not Sold Separately
41	MPN701103	M2953802048	Check Valve 1 (Short)	EA	Stock
111	MPN701309	M2933801244	Shaft - Front (17 Tooth)	EA	Stock
113	MPN701310	M2924500008	Shaft - Rear (13 Tooth)	EA	Stock
114	MPN701307	M2943800613	Coupling, Spline	EA	Special Order
123	MPN701207	MPNUP309ETKD	Bearing - Roller (Front)	EA	Stock
124	MPN701208	MPRNA6932KD	Bearing - Needle (Rear)	EA	Stock
127			Spacer, Bearing	EA	Special Order
153	MPN701210	M2943800488	Set (Retainer) Plate	EA	Stock
156A	MPN701303	M29246100032	Ball Guide w/spacer)	EA	Stock
156			Ball Guide		Not Sold Separately
158	MPN701304	M2953802062	Spacer	EA	Stock
157	MPN701305	M2953802061	Block Springs	Set of 9	Stock
211	MPN701214	M371A00AA124	Shoe (Thrust) Plate	EA	Stock
212 & 251	MPN701215	M29238936908	Swash Plate Assy.	EA	Stock
212		M2953801991	Swash Plate		Not Sold Separately
214		MP1R222616	Bush, Tilting		Not Sold Separately
251		M2923800906	Swash Plate Support		Not Sold Separately
261	MPN701216	M2943800518	Cover (F), Seal	EA	Stock
262			Cover, (R,) Seal	EA	Special Order
263			Cover, (R,) Seal	EA	Special Order
271		M2923801619	Casing, Pump	EA	Special Order
271	MPN701217	M29232500374	Casing, Pump	EA	Stock
311		M2923801932	Cover(F), Valve	EA	Special Order
312		M2923801934	Cover(R), Valve	EA	Special Order
325		M29233100017	Block, Assist	EA	Special Order
401	MPN701219	M2953801868	Screw, Hex. S.H.C.	EA	Stock
402	MPN701308	M2953802438	Screw, Hex. S.H.C.	EA	Stock
406			Screw, Hex. S.H.C.	EA	Special Order
408			Screw, Hex. S.H.C.	EA	Special Order
466		MOVP14	Plug, PF 1/4	EA	Special Order
468		MOVP34	Plug, PF 3/4	EA	Special Order
490			Plug	EA	Special Order
530	MPN701220	M2953801988	Tilting Pin Assy.	EA	Stock
532	MPN701221	M2943800503	Servo Piston Assy.	EA	Stock
534	MPN701222	M2953801865	Stopper (L)	EA	Stock
535	MPN701223	M2953801864	Stopper (S)	EA	Stock
542			Spacer (S)	EA	Special Order
699		M29233100029	Valve Casing	EA	Special Order
702 - 792			O'Ring Kit Materials	EA	Part of SEAL KIT

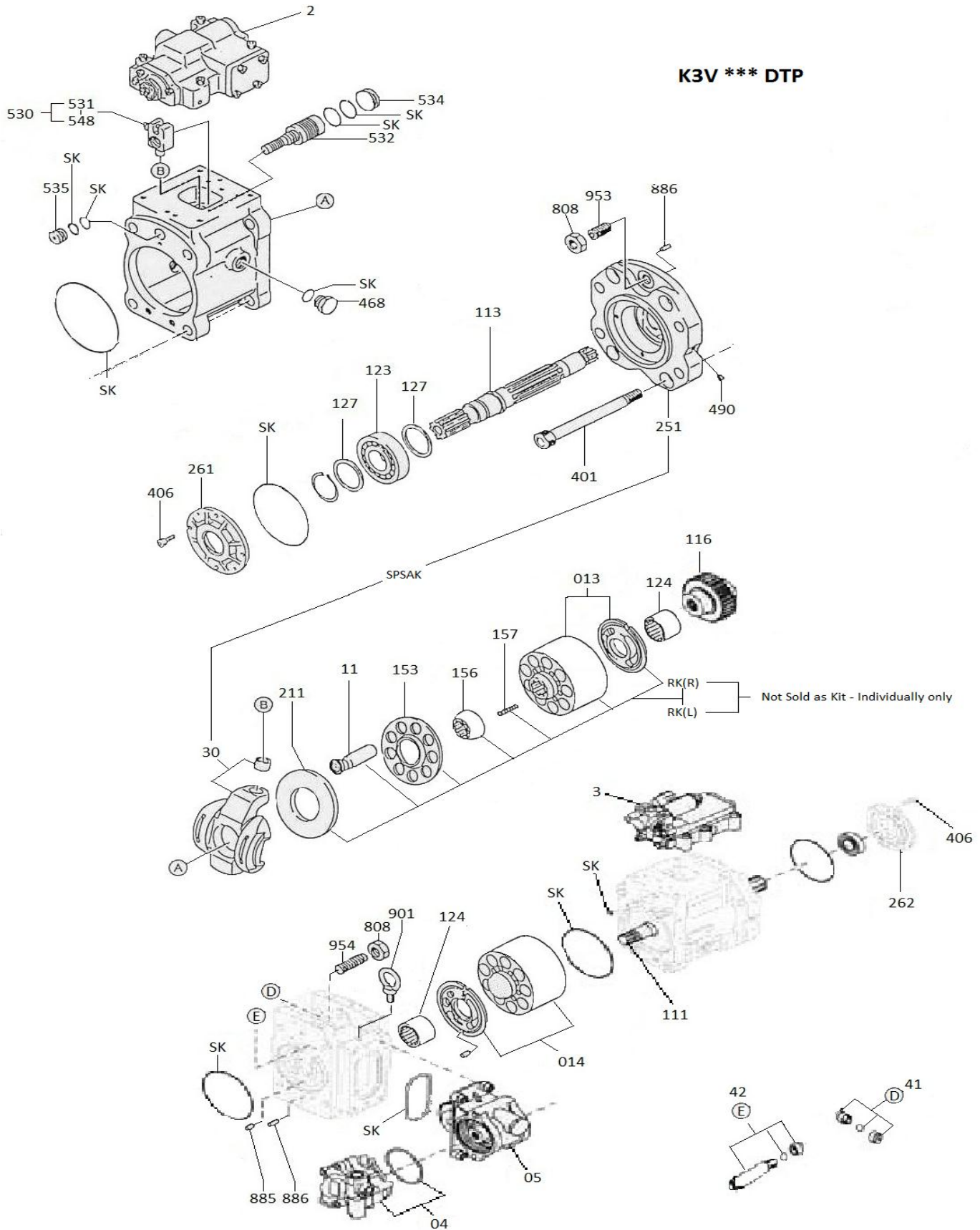
### K3V180DTH Parts & Price List

808		MORNM20	Nut, Hex	EA	Special Order
886			Pin, Spring	EA	Special Order
901			Bolt, Eye	EA	Special Order
953			Screw, Set	EA	Special Order
954	MPN701306	M29333000017	Screw, Set	EA	Stock
	MPN701312		SEAL KIT - Pump only	EA	Stock
	MPN701228	M29024401667A	Gear Pump Assy. (13 tooth 15CC)	EA	Stock
	MPN701231F		Rotating Group (RH)	EA	Stock
	MPN701232F		Rotating Group (LH)	EA	Stock



# K3V180DTP Exploded View

K3V \*\*\* DTP

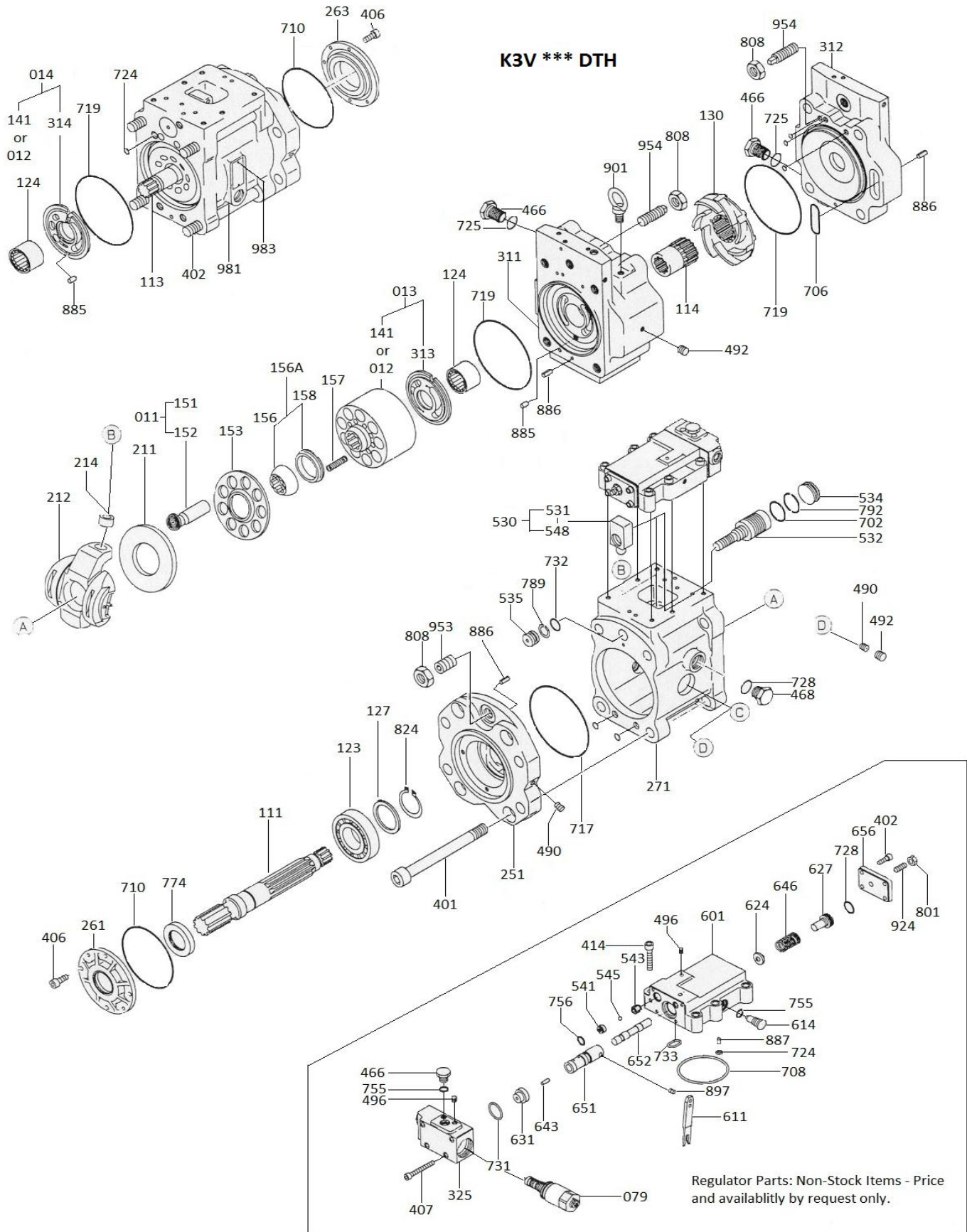


### K3V180DTP Parts & Price List

Item No.	METARIS No.	Reference No.	Description	Unit	Comments
02			Regulator	EA	Case by Case
03			Regulator	EA	Case by Case
04			Gear Pump Assy.	EA	Case by Case
05			Assy., PTO	EA	Case by Case
011 or 150	MPN701300	M29245300462	Piston Assy.	Set of 9	Stock
013	MPN701301	M2953802226	Cylinder Block & Valve Plate (RH)	EA	Stock
014	MPN701302	M2953802227	Cylinder Block & Valve Plate (LH)	EA	Stock
SPSAK	MPN701215	M29238936908	Swash Plate Assy.	EA	Stock
30		M2953801991	Swash Plate		Not Sold Separately
251		M2923800906	Swash Plate Support		Not Sold Separately
41	MPN701103	M2953802048	VALVE,CHECK1 SUB	EA	Stock
42			VALVE,CHECK2 SUB	EA	Special Order
111			Shaft - Front	EA	Case by Case
113			Shaft - Rear	EA	Case by Case
116			Gear, 1st	EA	Not Available
123	MPN701207	MPNUP309ETKD	Bearing - Roller (Front)	EA	Stock
124			Bearing - Needle (Rear)	EA	Not Available
127			Spacer, Bearing	EA	Special Order
153	MPN701210	M2943800488	Set (Retainer) Plate	EA	Stock
156	MPN701303	M29246100032	Ball Guide	EA	Stock
157	MPN701305	M2953802061	Block Springs	Set of 9	Stock
211	MPN701214	M371A00AA124	Shoe (thrust) Plate	EA	Stock
261	MPN701216	M2943800518	Cover (F), Seal	EA	Stock
263			Cover, (R,) Seal	EA	Special Order
401	MPN701219	M2953801868	Screw, Hex. S.H.C.	EA	Stock
406			Screw, Hex. S.H.C.	EA	Special Order
468			Plug	EA	Special Order
490			Plug	EA	Special Order
530	MPN701220	M2953801988	Tilting Pin Assy.	EA	Stock
532	MPN701221	M2943800503	Servo Piston Assy.	EA	Stock
534	MPN701222	M2953801865	Stopper (L)	EA	Stock
535	MPN701223	M2953801864	Stopper (S)	EA	Stock
901			Bolt, Eye	EA	Special Order
953			Screw, Set	EA	Special Order
954	MPN701225	M2953801866	Screw, Set (Adjust)	EA	Stock
SK	MPN701226		SEAL KIT - Not Complete (DT Kit)	EA	Stock
	MPN701231F		Rotating Group (RH)	EA	Stock
	MPN701232F		Rotating Group (LH)	EA	Stock

# K3V280DTH Exploded View

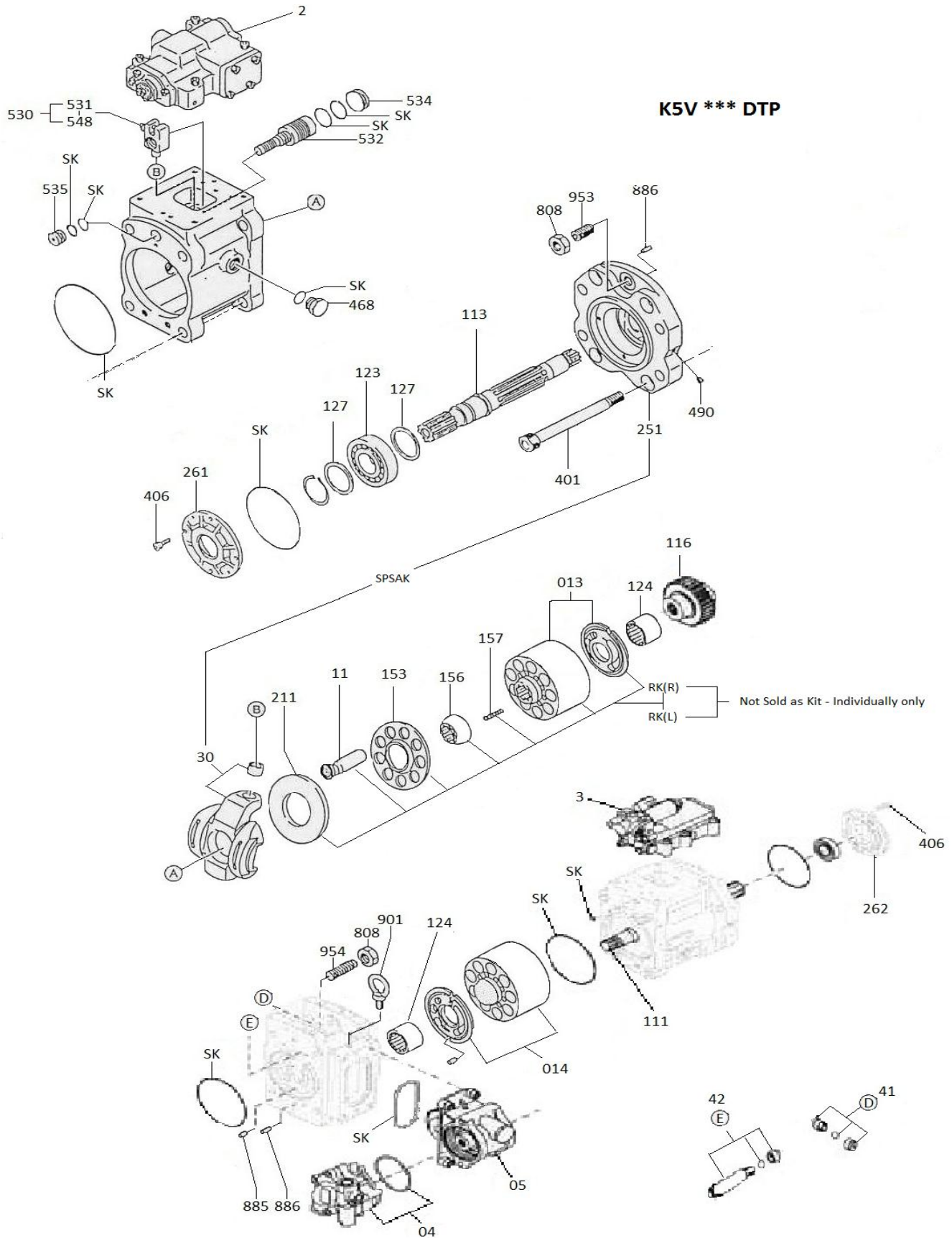
K3V \*\*\* DTH





# K5V140DTP Exploded View

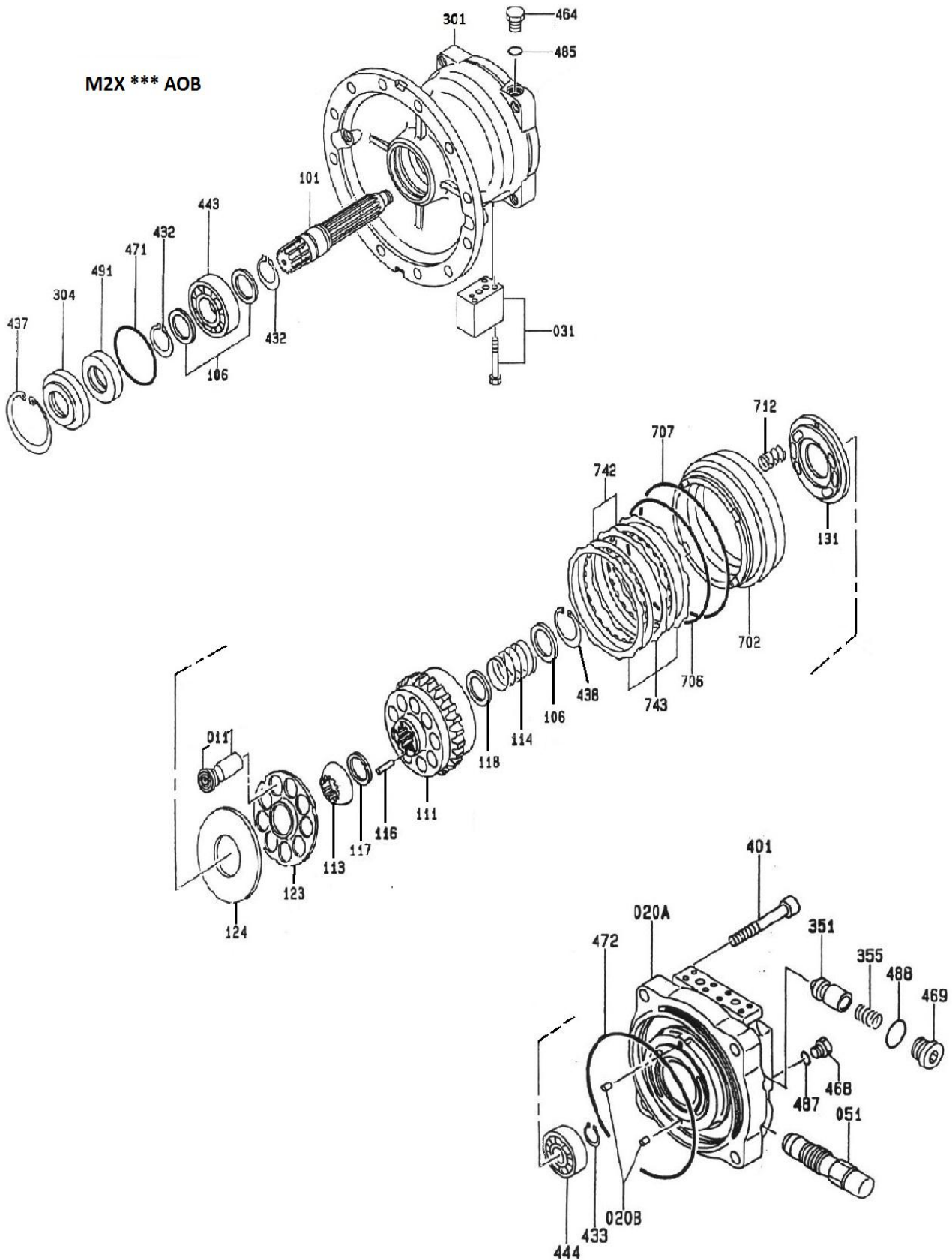
K5V \*\*\* DTP



### K5V140DTP Parts & Price List

Item No.	METARIS No.	Reference No.	Description	Unit	Comments
02			Regulator	EA	Case by Case
03			Regulator	EA	Case by Case
04	MPN701600	M29024401518	Gear Pump Assy.	EA	Stock
05			Assy., PTO	EA	Case by Case
011 or 150	MPN701601	M29245300424	Piston Assy.	Set of 9	Stock
013	MPN701602	M29243700371	Cylinder Block & Valve Plate (RH)	EA	Stock
014	MPN701603	M29243700372	Cylinder Block & Valve Plate (LH)	EA	Stock
SPSAK	MPN701604	M292032509316	Swash Plate Assy.	EA	Stock
30		M29241500156	Swash Plate		Not Sold Separately
251		MP1R2025125	Swash Plate Support		Not Sold Separately
111	MPN701605	M29242500556	Shaft - Front (17 tooth)	EA	Stock
113	MPN701606	M29242500557	Shaft - Rear (13 tooth)	EA	Stock
114	MPN701109	M2953801763	Coupling, Spline	EA	Stock
116	MPN701607	M29031900226	Gear, 1st	EA	Stock
123	MPN701111	MPNUP308R1CS5K	Bearing - Roller (Front)	EA	Stock
124	MPN701608	MPAJ503303KD	Bearing - Needle (Rear)	EA	Stock
127	MPN701113	M38800127A	Spacer, Bearing	EA	Stock
153	MPN701114	M29241100056	Set (Retainer) Plate	EA	Stock
156	MPN701115	M29246100030	Ball Guide	EA	Stock
157	MPN701610	M29033401784	Block Springs	Set of 9	Stock
158	MPN701116	M2953801764	Spacer	EA	Stock
211	MPN701118	M6871000211	Shoe (Thrust) Plate	EA	Stock
261	MPN701611	M29231500486	Cover (F), Seal	EA	Stock
312		M29233700080	Valve Block	EA	Special Order
325	MPN701129	M29232300032	Valve Casing	EA	Stock
326	MPN701615	M29231500860	Cover	EA	Stock
401	MPN701130	M2953801767	Screw, Hex. S.H.C.	EA	Stock
406			Screw, Hex. S.H.C.	EA	Special Order
468			Plug	EA	Special Order
490			Plug	EA	Special Order
530	MPN701612	M29251300035	Tilting Pin Assy.	EA	Stock
532	MPN701137	M29244900050	Servo Piston Assy.	EA	Stock
534	MPN701139	M2953801761	Stopper (L)	EA	Stock
535	MPN701140	M2953801762	Stopper (S)	EA	Stock
901			Bolt, Eye	EA	Special Order
953			Screw, Set	EA	Special Order
954	MPN701146	M2953801768	Screw, Set (Adjust)	EA	Stock
SK			SEAL KIT	EA	Not Available
RK(R.)			Not Sold as Kits		
RK(L)			Not Sold as Kits		

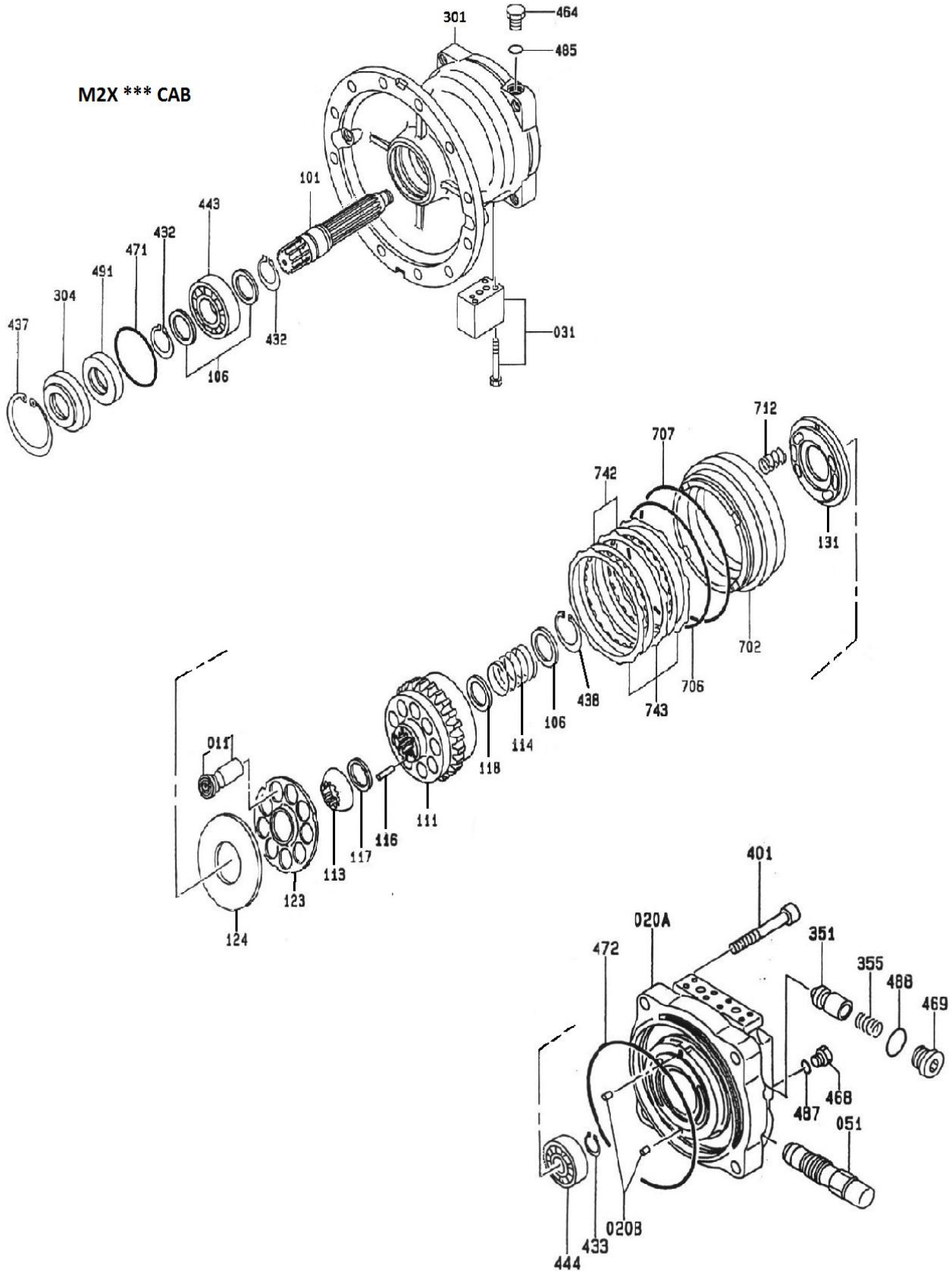
# M2X150 or 170AOB Exploded View







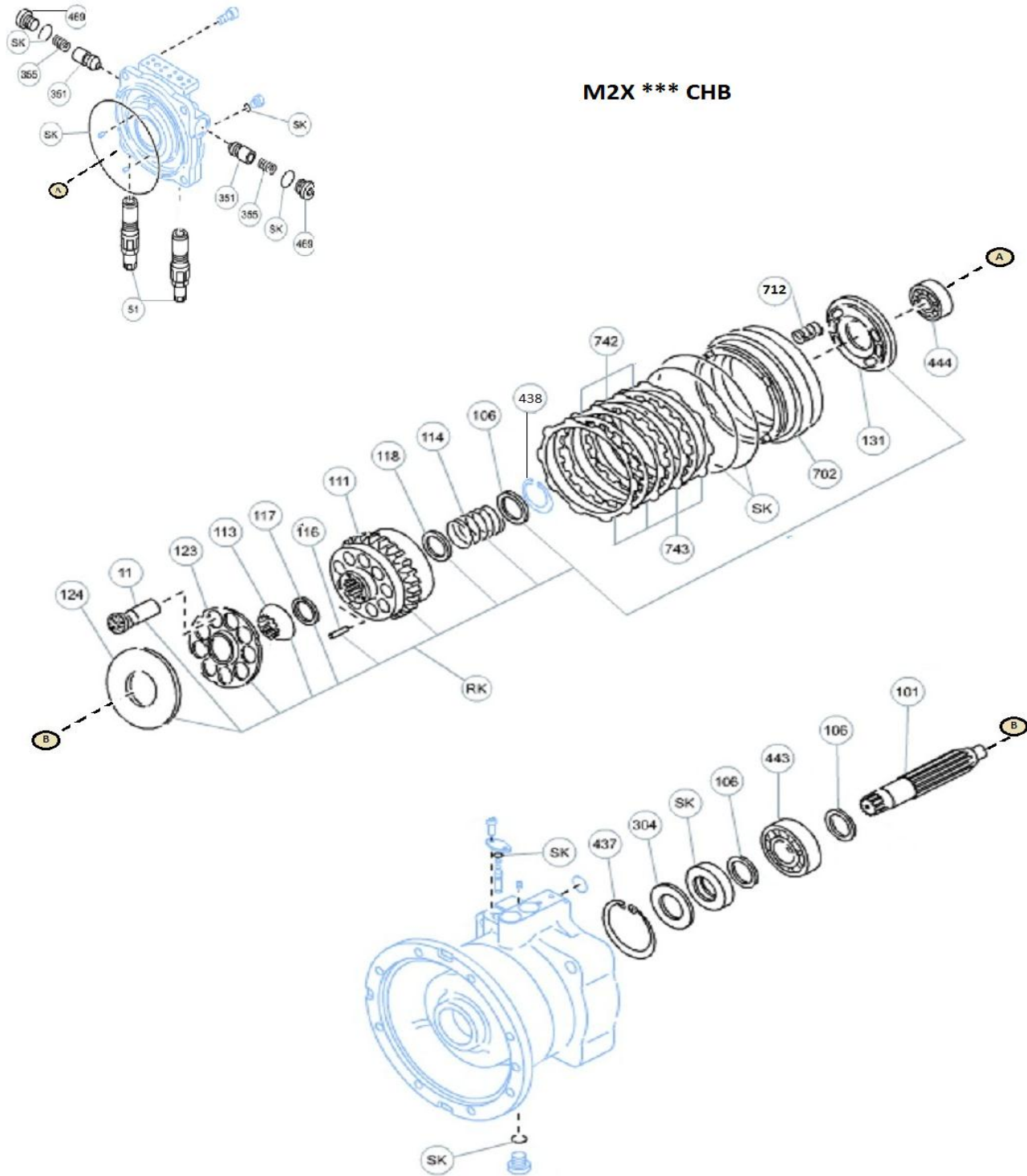
# M2X150 or 170CAB Exploded View



### M2X150 or 170CAB Parts & Price List

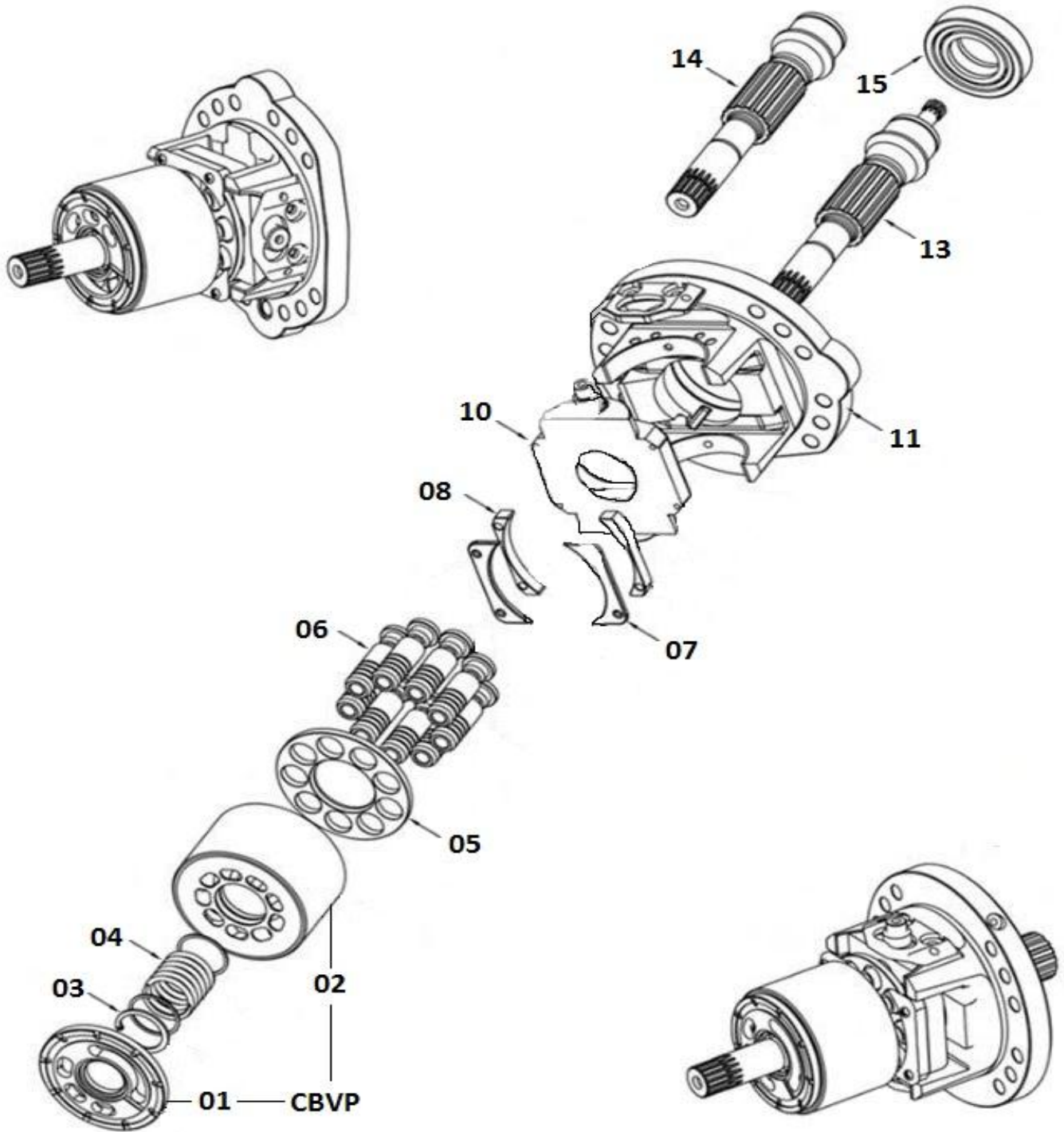
Item No.	METARIS No.	Reference No.	Description	Unit	Comments
11	MPN703200	M3753C00111	Piston Assy.	Set of 9	Stock
101		M3733700398	Shaft - M2X150 & M2X170	EA	Not Available
106	MPN703201	M3753700450	Spacer	EA	Stock
111	MPN703203	M3733700449	Cylinder Block	EA	Stock
113	MPN703204	M3753700454	Retainer / Spherical Bushing	EA	Stock
116	MPN703205	MPJR424	Cylinder Barrel Pin (Push Rod)	set of 12	Stock
117	MPN703206	M3753700464	Spacer, F	EA	Stock
118	MPN703207	M3753700465	Spacer, R	EA	Stock
123	MPN703208	M3743700406	Plate, Set	EA	Stock
124	MPN703209	M3753700402	Plate, Shoe	EA	Stock
131	MPN703211	M3733700533	Plate H4, Valve	EA	Stock
438	MPN703212	M0RR58	Snap Ring	EA	Special Order
443	MPN703213	MPNUP309V	Roller Bearing (Front)	EA	Special Order
444	MPN703217	MPNU305EVV	Needle Bearing (Rear)	EA	Special Order
712	MPN703219	M3753700453	Spring B, Brake	EA	Special Order
742	MPN703220	M3743700486	Plate, Friction	EA	Stock
743	MPN703221	M3743700415	Plate, Separator	EA	Stock
SK		M3753C00280	Seal Kit	Kit	Not Available

# M2X150 or 170CHB Exploded View





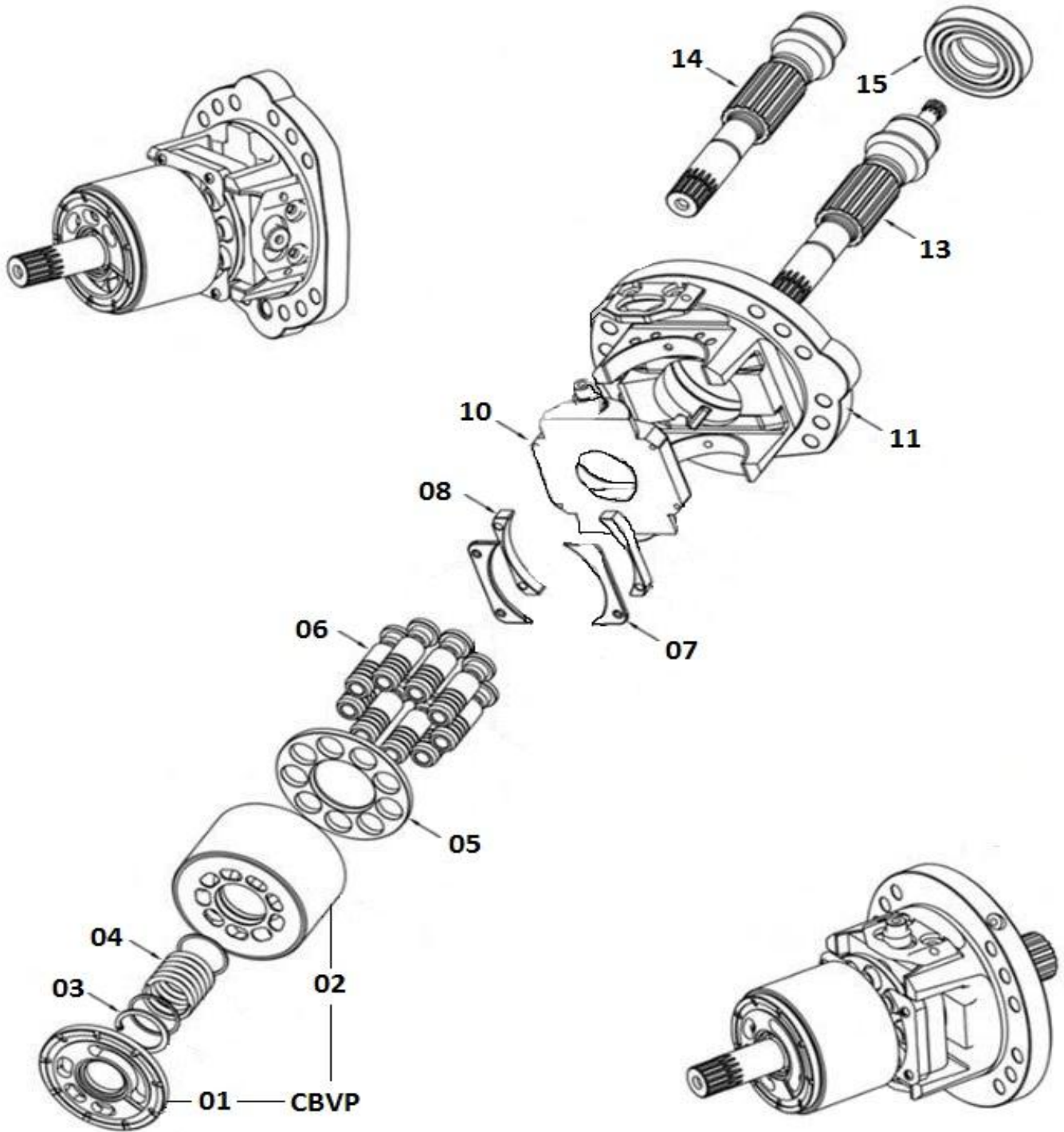
PC200-3 / 220-3 Exploded View



## PC200-3 / 220-3 Exploded View

Item No.	METARIS No.	Reference No.	Description	Unit		Comments
CBVP	MPN700001	M7082500010	Cylinder Block & Valve Plate (RH)	EA		Stock
CBVP	MPN700002	M7082500020	Cylinder Block & Valve Plate (LH)	EA		Stock
01		M7082513210	Valve Plate (RH)	EA		Not Sold Separately
01		M7082513220	Valve Plate (LH)	EA		Not Sold Separately
02		M7082513151	Cylinder Block	EA		Not Sold Separately
03			Ring, Snap	EA		Not Available
04			Spring	EA		Not Available
05	MPN700004	M7082513422	Set Plate (Retainer)	EA		Stock
06	MPN700003	M7082513314	Piston Assy. (Set of 9)	Set		Stock
07	MPN700013	M7082513441	Retainer Bearing (Fix Plate)	EA		Stock
08		M7082505100	Spacer	EA		Special Order
10	MPN700005	M7082513411	Swash Plate (Cam Rocker)	EA		Stock
11	MPN700006	M7082500480	Swash Plate Support (Cradle Front - RH)	EA		Stock
11	MPN700007	M7082500490	Swash Plate Support (Cradle Rear - LH)	EA		Stock
13	MPN700008	M7082512720	Drive Shaft, Rear	EA		Stock
14	MPN700011	M7082512710	Drive Shaft, Front	EA		Stock
15			Bearing	EA		Not Available
	MPN700043		Seal Kit	Kit		Stock

PC200-5 / 220-5 Exploded View

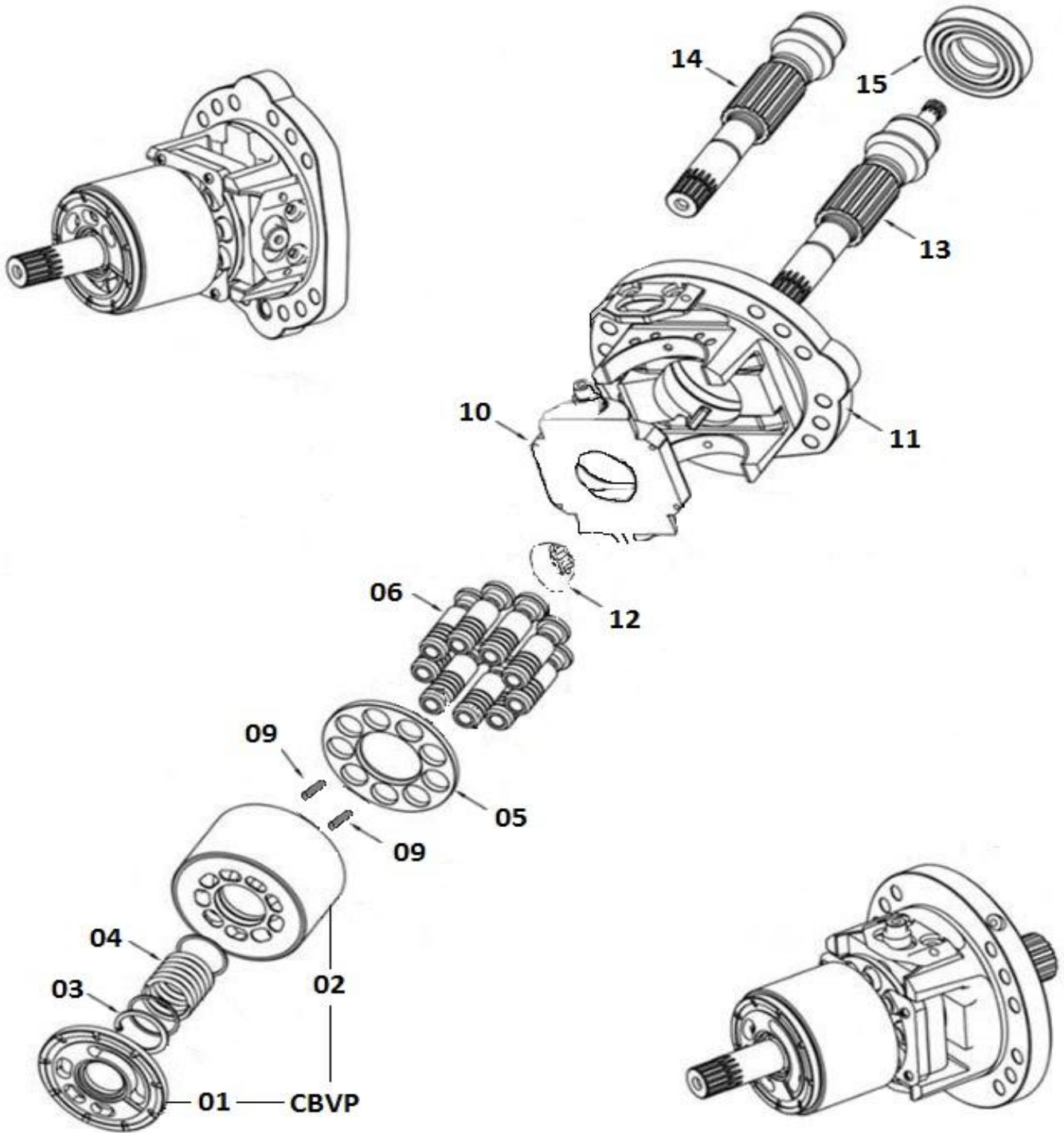


## PC200-5 / 220-5 Exploded View

Item No.	METARIS No.	Reference No.	Description	Unit		Comments
CBVP	MPN700009	M7082500410	Cylinder Block & Valve Plate (RH)	EA		Stock
CBVP	MPN700010	M7082500400	Cylinder Block & Valve Plate (LH)	EA		Stock
01		M7082513611	Valve Plate (RH)	EA		Not Sold Separately
01		M7082513621	Valve Plate (LH)	EA		Not Sold Separately
02		M7082513151	Cylinder Block	EA		Not Sold Separately
03			Ring, Snap	EA		Not Available
04			Spring	EA		Not Available
05	MPN700004	M7082513422	Set Plate (Retainer)	EA		Stock
06	MPN700003	M7082513314	Piston Assy. (Set of 9)	Set		Stock
07	MPN700013	M7082513441	Retainer Bearing (Fix Plate)	EA		Stock
08		M7082505100	Spacer	EA		Special Order
10	MPN700005	M7082513411	Swash Plate (Cam Rocker)	EA		Stock
11	MPN700006	M7082500480	Swash Plate Support (Cradle Front - RH)	EA		Stock
11	MPN700007	M7082500490	Swash Plate Support (Cradle Rear - LH)	EA		Stock
13	MPN700012	M7082532720	Drive Shaft, Rear	EA		Stock
14	MPN700711	M7082512710	Drive Shaft, Front	EA		Stock
15			Bearing	EA		Not Available
	MPN700043		Seal Kit	Kit		Stock



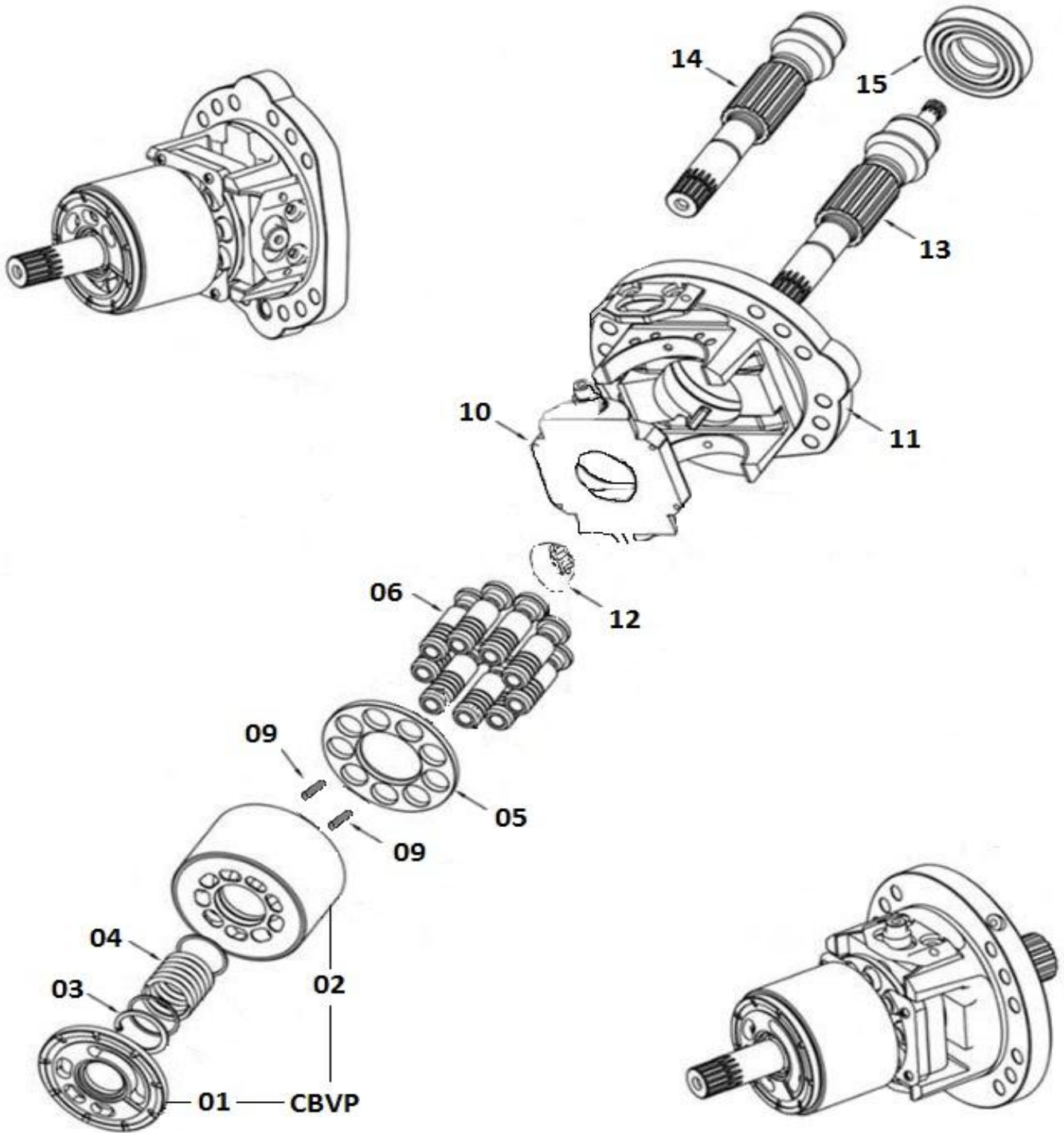
PC200-6 / 220-6 Exploded View



## PC200-6 / 220-6 Exploded View

Item No.	METARIS No.	Reference No.	Description	Unit		Comments
CBVP	MPN700015	M7082L04141	Cylinder Block & Valve Plate (RH)	EA		Stock
CBVP	MPN700014	M7082L04151	Cylinder Block & Valve Plate (LH)	EA		Stock
01		M7082L23212	Valve Plate (RH)	EA		Not Sold Separately
01		M7082L23222	Valve Plate (LH)	EA		Not Sold Separately
02		M7082L23112	Cylinder Block	EA		Not Sold Separately
03			Ring, Snap	EA		Not Available
04			Spring	EA		Not Available
05	MPN700017	M7082L23340	Set Plate (Retainer)	EA		Stock
06	MPN700016	M7082L23313	Piston Assy. (Set of 9)	Set		Stock
09		M7082L23360	Press Pin (Set of 6)	Set		Special Order
10	MPN700019	M7082L23452	Swash Plate (Cam Rocker) Old Style Level	EA		Stock
10	MPN700023	M7082L33551	Swash Plate (Cam Rocker) New Style	EA		Stock
11	MPN700020	M7082L23854	Swash Plate Support (Cradle - Old Style)	EA		Stock
11	MPN700024	M7082L23880	Swash Plate Support (Cradle - New Style)	EA		Stock
12	MPN700018	M7082L23351	Ball Guide	EA		Stock
13	MPN700022	M7082L22122	Drive Shaft, Rear	EA		Stock
14	MPN700021	M7082L22112	Drive Shaft, Front	EA		Stock
15			Bearing	EA		Not Available
	MPN700044		Seal Kit	Kit		Stock

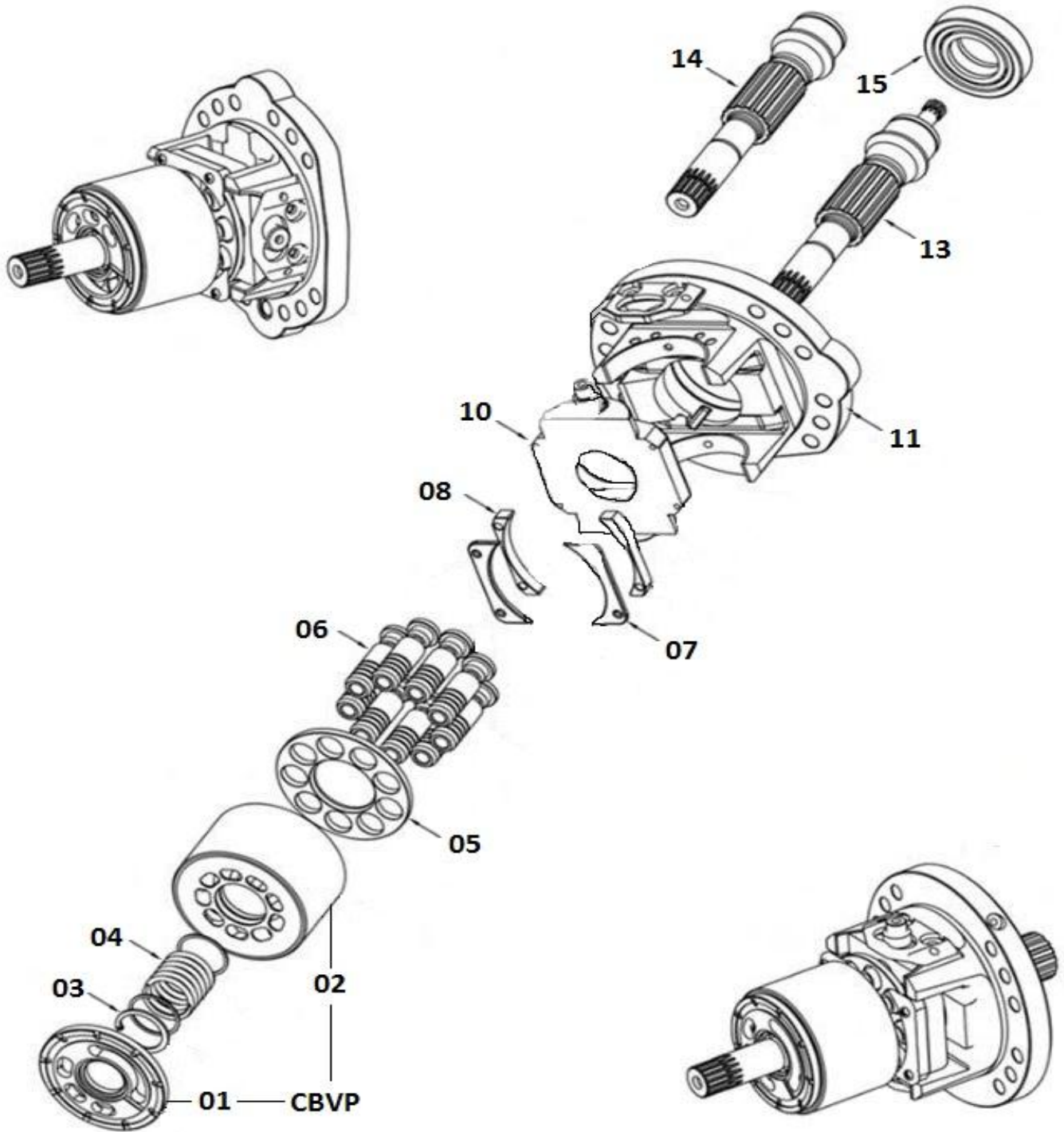
PC200-7 / 220-7 Exploded View



## PC200-7 / 220-7 Exploded View

Item No.	METARIS No.	Reference No.	Description	Unit		Comments
CBVP	MPN700026	M7082L06170	Cylinder Block & Valve Plate (RH)	EA		Stock
CBVP	MPN700025	M7082L06180	Cylinder Block & Valve Plate (LH)	EA		Stock
01			Valve Plate (LH)	EA		Not Sold Separately
01			Valve Plate (RH)	EA		Not Sold Separately
02			Cylinder Block	EA		Not Sold Separately
03			Ring, Snap	EA		Not Available
04			Spring	EA		Not Available
05	MPN700027	M7082L33350	Set Plate (Retainer)	EA		Stock
06	MPN700016	M7082L23313	Piston Assy. (Set of 9)	Set		Stock
09			Press Pin (Set of 6)	Set		Special Order
10	MPN700028	M7082L06190	Swash Plate (Cam Rocker)	EA		Stock
11	MPN700029	M7082L23880	Swash Plate Support (Cradle)	EA		Stock
12	MPN700018	M7082L23351	Ball Guide	EA		Stock
13	MPN700031	M7082L32130	Drive Shaft, Rear	EA		Stock
14	MPN700030	M7082L32110	Drive Shaft, Front	EA		Stock
15			Bearing	EA		Not Available
			Seal Kit	Kit		Not Available

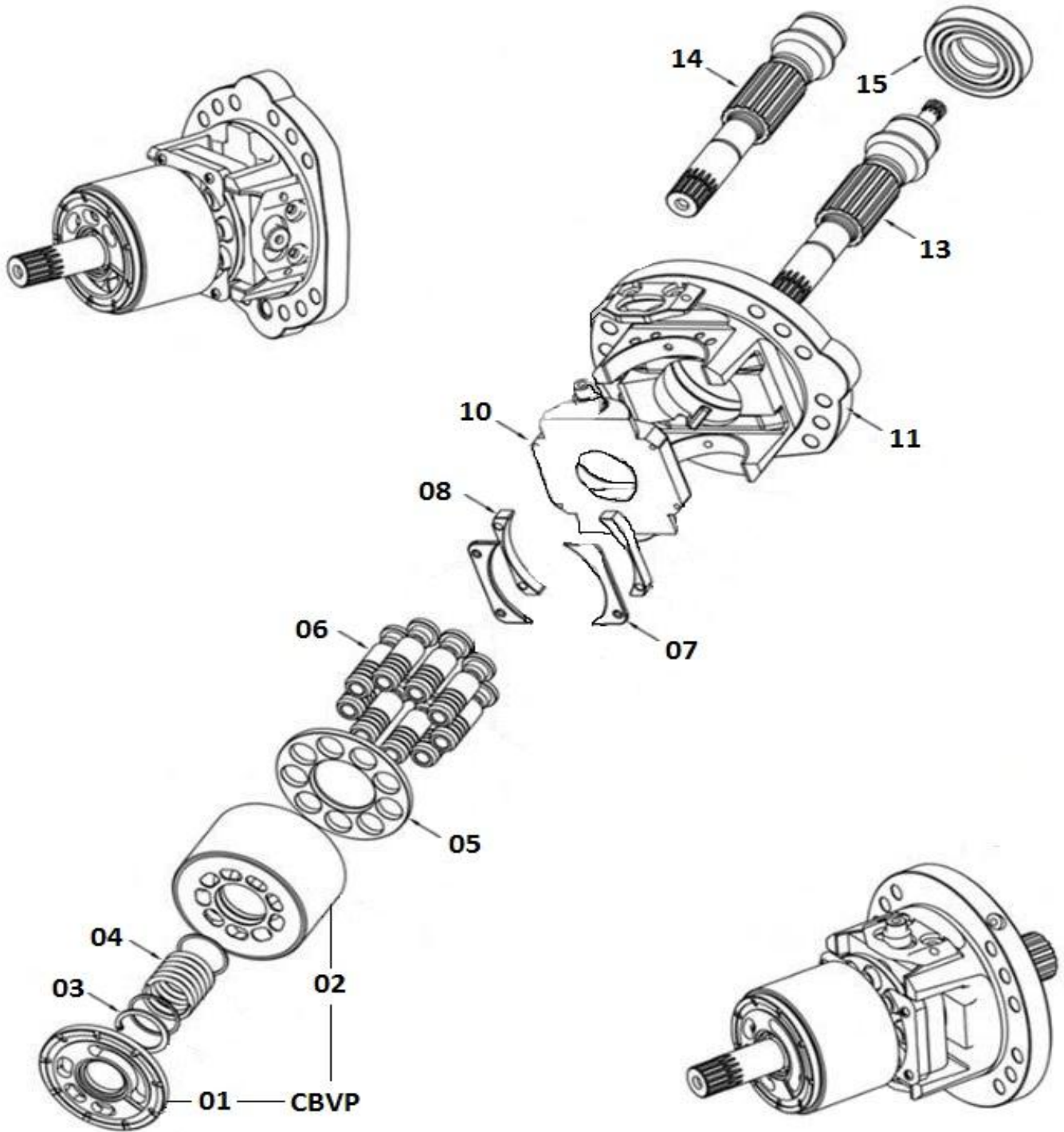
PC300-3 / 400-3 Exploded View



## PC300-3 / 400-3 Exploded View

Item No.	METARIS No.	Reference No.	Description	Unit		Comments
CBVP	MPN700032	M7082700012	Cylinder Block & Valve Plate (RH)	EA		Stock
CBVP	MPN700033	M7082700022	Cylinder Block & Valve Plate (LH)	EA		Stock
01		M7082713212	Valve Plate (RH)	EA		Not Sold Separately
01		M7082713222	Valve Plate (LH)	EA		Not Sold Separately
02		M7082713111	Cylinder Block	EA		Not Sold Separately
03			Ring, Snap	EA		Not Available
04			Spring	EA		Not Available
05	MPN700038	M7082713341	Set Plate (Retainer)	EA		Stock
06	MPN700037	M7082713314	Piston Assy. (Set of 9)	Set		Stock
07			Retainer Bearing (Fix Plate)	EA		Special Order
08			Spacer	EA		Special Order
10	MPN700034	M7082713412	Swash Plate (Cam Rocker)	EA		Stock
11	MPN700035	M7082712310	Swash Plate Support (Cradle Front - RH)	EA		Stock
11	MPN700036	M7082712320	Swash Plate Support (Cradle Rear - LH)	EA		Stock
13	MPN700040	M7082712721	Drive Shaft, Rear	EA		Stock
14	MPN700039	M7082712711	Drive Shaft, Front	EA		Stock
15			Bearing	EA		Not Available
	MPN700051		Seal Kit	Kit		Stock

# PC300-5 / 400-5 Exploded View

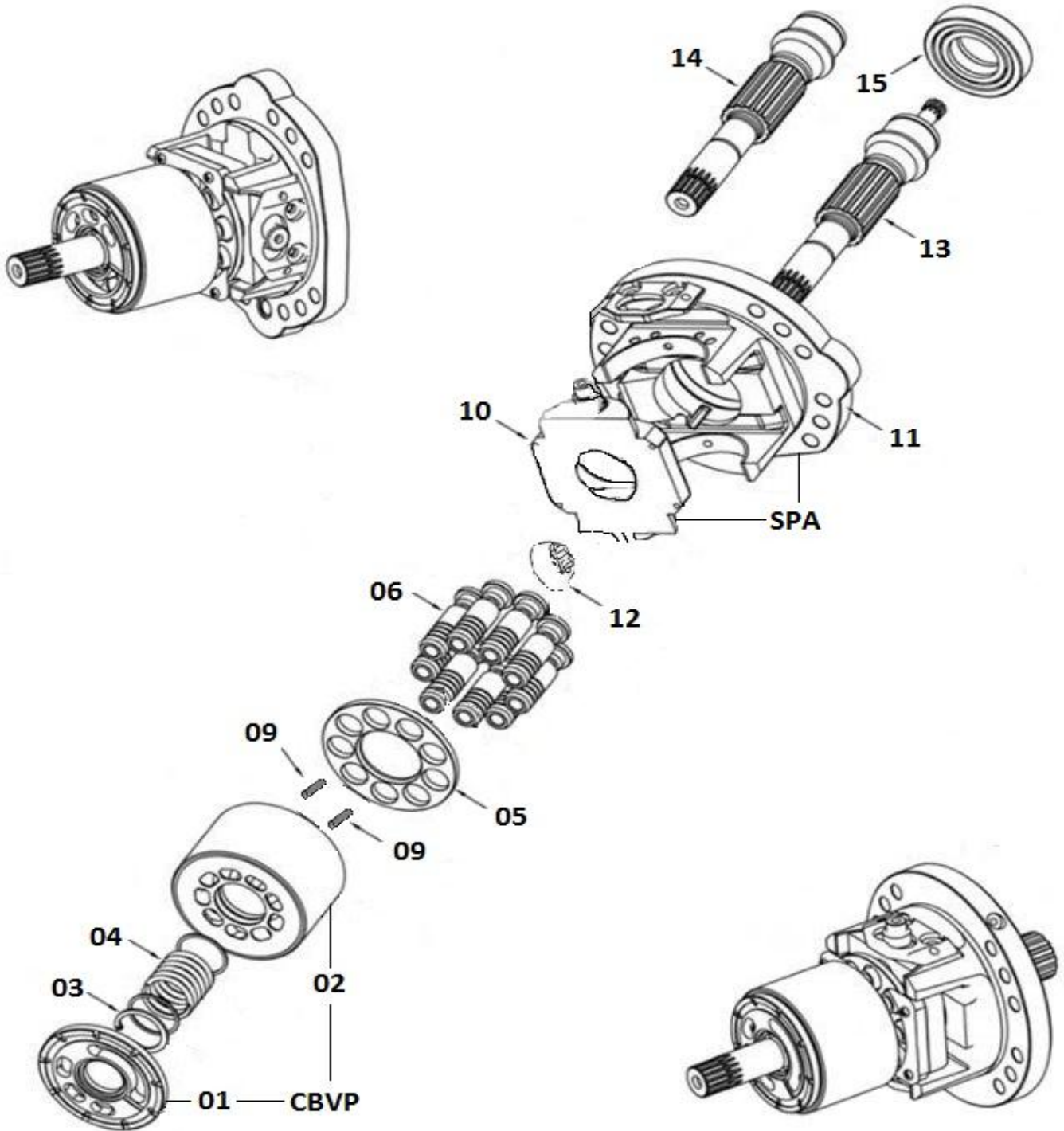


## PC300-5 / 400-5 Exploded View

Item No.	METARIS No.	Reference No.	Description	Unit		Comments
CBVP	MPN700042	M7082700431	Cylinder Block & Valve Plate (RH)	EA		Stock
CBVP	MPN700041	M7082700441	Cylinder Block & Valve Plate (LH)	EA		Stock
01		M7082713611	Valve Plate (RH)	EA		Not Sold Separately
01		M7082713621	Valve Plate (LH)	EA		Not Sold Separately
02		M7082713112	Cylinder Block	EA		Not Sold Separately
03			Ring, Snap	EA		Not Available
04			Spring	EA		Not Available
05	MPN700038	M7082713341	Set Plate (Retainer)	EA		Stock
06	MPN700037	M7082713314	Piston Assy. (Set of 9)	Set		Stock
07			Retainer Bearing (Fix Plate)	EA		Special Order
08			Spacer	EA		Special Order
10	MPN700034	M7082713412	Swash Plate (Cam Rocker)	EA		Stock
11	MPN700035	M7082712310	Swash Plate Support (Cradle Front - RH)	EA		Stock
11	MPN700036	M7082712320	Swash Plate Support (Cradle Rear - LH)	EA		Stock
13	MPN700040	M7082712721	Drive Shaft, Rear	EA		Stock
14	MPN700039	M7082712711	Drive Shaft, Front	EA		Stock
15			Bearing	EA		Not Available
	MPN700051		Seal Kit	Kit		Stock



PC300-6 / 400-6 Exploded View

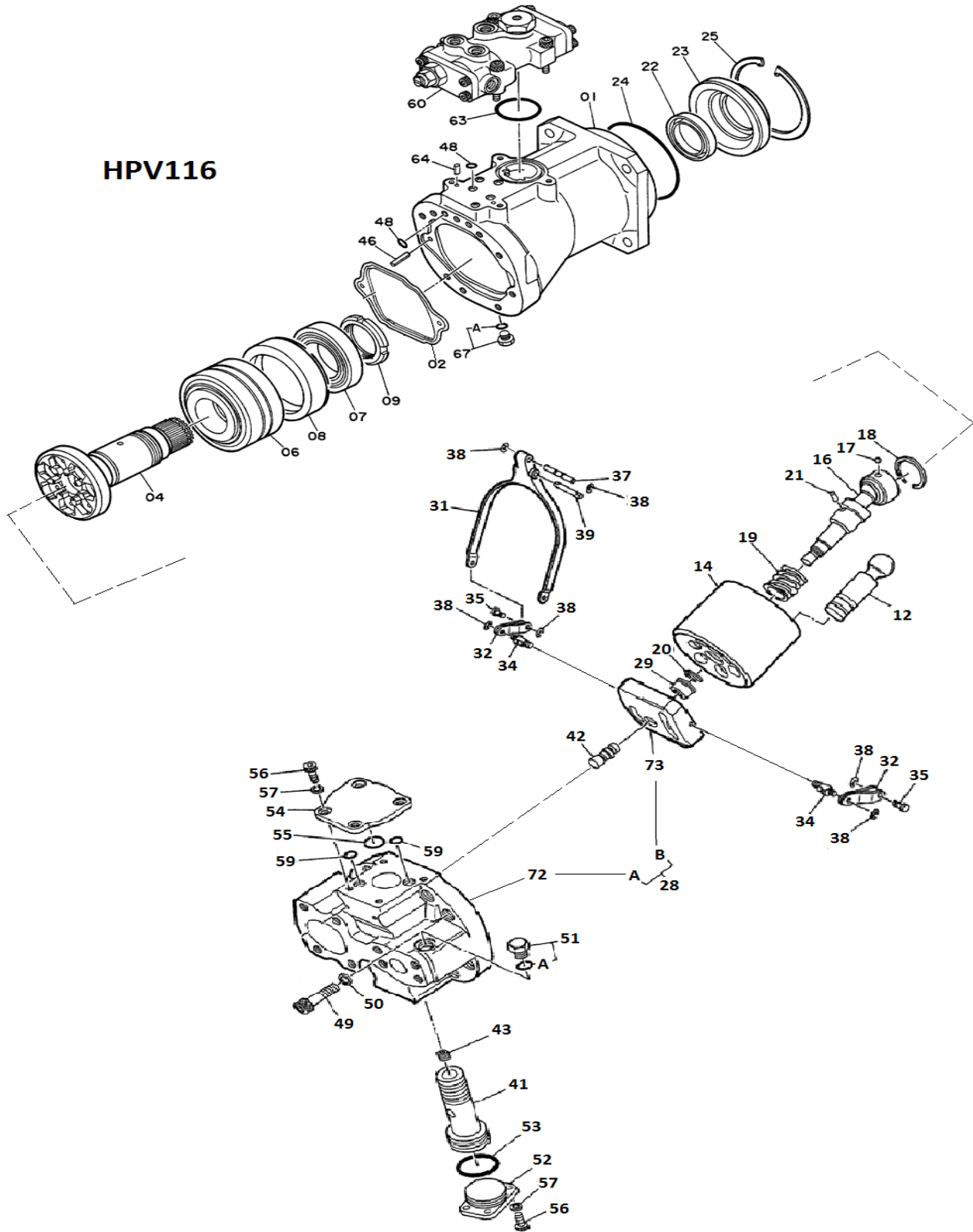


## PC300-6 / 400-6 Exploded View

Item No.	METARIS No.	Reference No.	Description	Unit		Comments
CBVP	MPN700047	M7082H04140	Cylinder Block & Valve Plate (RH)	EA		Stock
CBVP	MPN700046	M7082H04150	Cylinder Block & Valve Plate (LH)	EA		Stock
01			Valve Plate (RH)	EA		Not Sold Separately
01			Valve Plate (LH)	EA		Not Sold Separately
02			Cylinder Block	EA		Not Sold Separately
03			Ring, Snap	EA		Not Available
04			Spring	EA		Not Available
05	MPN700049	M7082H23340	Set Plate (Retainer)	EA		Stock
06	MPN700048	M7082H23311	Piston Assy. (Set of 9)	Set		Stock
09			Press Pin (Set of 6)	Set		Special Order
SPA	MPN700045		Swash Plate Assy. (Plate & Support)	Set		Stock
10			Swash Plate (Cam Rocker)	EA		Not Sold Separately
11			Swash Plate Support (Cradle)	EA		Not Sold Separately
12	MPN700050	M7082H23350	Ball Guide	EA		Stock
13			Drive Shaft, Rear	EA		Not Available
14			Drive Shaft, Front	EA		Not Available
15			Bearing	EA		Not Available
	MPN700052		Seal Kit	Kit		Stock

# HPV116 Exploded View

HPV116



### HPV116 Parts & Price List

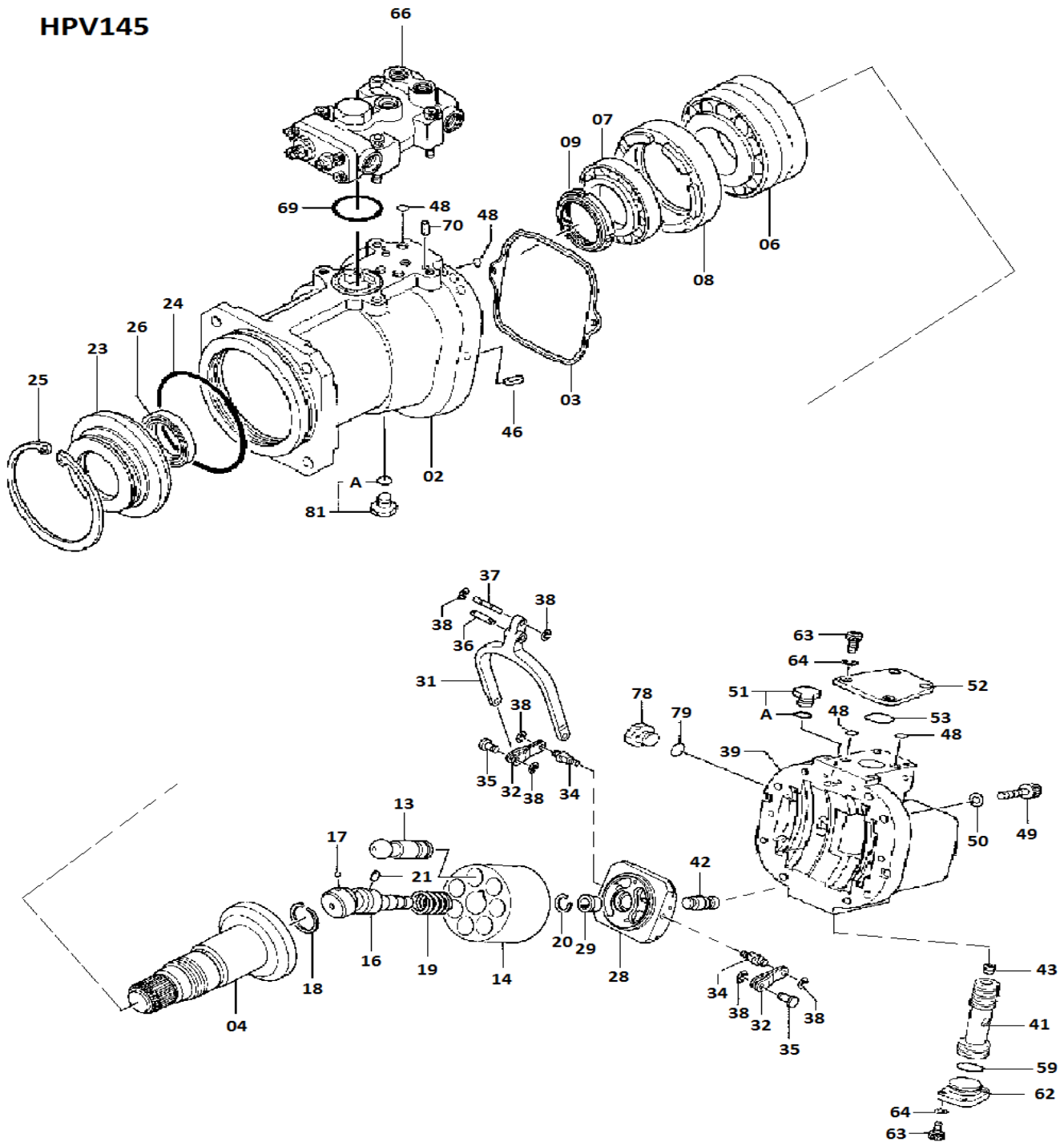
Item No.	METARIS No.	Reference No.	Description	Unit	Comments
1			Casing, Pump	EA	Not Available
2			Packing	EA	Not Available
4	MPN700254	M2021677	Disc (Shaft) -Driving	EA	Stock
6	MPN700259	MTH109868	Bearing, Front Tap'd Roller	EA	Stock
7	MPN700260	MCH16496	Bearing, Front Small	EA	Stock
8			Spacer	EA	Not Available
9			Nut - Bearing	EA	Not Available
12	MPN700252	M8050658	Piston Assy.	Set of 7	Stock
14	MPN700250	M2021642	Rotor - Cylinder Block	EA	Stock
16	MPN700255	M8035127	Shaft - Center	EA	Stock
17			Ball	EA	Not Available
18			Retainer Clip - Center Pin	EA	Not Available
19	MPN700256	M4179181	Spring, Compress (Coil)	EA	Stock
20			Ring - Retaining - Valve Plate	EA	Not Available
21			Pin	EA	Not Available
22			Seal, Oil	EA	SK
23			Cover Seal	EA	SK
24			O-Ring	EA	SK
25			Ring - Retaining	EA	Not Available
28		M8041180	Head Assy.	EA	Not Sold as Assy.
28A or 72	MPN700253	M1011095	Head Block (Cover)	EA	Stock
28B or 73	MPN700251	M9742976	Valve Plate	EA	Stock
29			Bushing	EA	Not Available
31			Link	EA	Not Available
32			Lever	EA	Not Available
34			Pin	EA	Not Available
35			Pin	EA	Not Available
37			Pin	EA	Not Available
38			Ring, Retaining	EA	Not Available
39			Pin	EA	Not Available
41	MPN700257	M3035527	Piston, Servo	EA	Stock
42	MPN700258	M4188555	Pin, Servo Piston	EA	Stock
43			Screw, Set	EA	Not Available
46			Pin, Spring	EA	Not Available
48			O-Ring	EA	SK
49			Bolt, Socket	EA	Not Available
50			Washer, Spring	EA	Not Available
51			Plug	EA	Not Available
51A			O-Ring	EA	SK
52			Stopper	EA	Not Available
53			O-Ring	EA	SK
54			Stopper	EA	Not Available
55			O-Ring	EA	SK
56			Bolt	EA	Not Available

### HPV116 Parts & Price List

Item No.	METARIS No.	Reference No.	Description	Unit	Comments
57			Washer, Spring	EA	Not Available
59			O-Ring	EA	SK
60			Regulator	EA	Not Available
63			O-Ring	EA	SK
64			Pin, Spring	EA	Not Available
67			Plug	EA	Not Available
67A			O-Ring	EA	SK
			Seal Kit	EA	Special Order

# HPV145 Exploded View

HPV145



### HPV145 Parts & Price List

Item No.	METARIS No.	Reference No.	Description	Unit	Comments
2			Casing, Pump	EA	Not Available
3			Packing	EA	Not Available
4	MPN700268	M2023051	Disc (Shaft) -Driving (Old Style)	EA	Stock
4	MPN700267	M2038877	Disc (Shaft) -Driving (New Style)	EA	Stock
6	MPN700274	MTH111233	Bearing, Front Tap'd Roller	EA	Stock
7	MPN700275	MJD37194	Bearing, Front Small	EA	Stock
8			Spacer	EA	Not Available
9			Nut - Bearing	EA	Not Available
13	MPN700263	M8051275	Piston Assy.	Set of 7	Stock
14	MPN700261	M2022744	Rotor - Cylinder Block	EA	Stock
16	MPN700270	M8035539	Shaft - Center (Old Style - Ball and Cap)	EA	Stock
16	MPN700269	M3081023	Shaft - Center (New Style - Ball Only)	EA	Stock
17			Ball	EA	Not Available
18			Retainer Clip - Center Pin	EA	Not Available
19	MPN700271	M4194362	Spring, Compress (Coil)	EA	Stock
20			Ring - Retaining - Valve Plate	EA	Not Available
21			Pin	EA	Not Available
23			Cover Seal	EA	SK
24			O-Ring	EA	SK
25			Ring - Retaining	EA	Not Available
26			Seal, Oil	EA	SK
28 or 40A	MPN700262	M9749142	Valve Plate	EA	Stock
29			Bushing	EA	Not Available
31			Link	EA	Not Available
32			Lever	EA	Not Available
34			Pin	EA	Not Available
35			Pin	EA	Not Available
36			Pin	EA	Not Available
37			Pin	EA	Not Available
38			Ring, Retaining	EA	Not Available
39	MPN700264	M1011956	Head Block (Cover) HPV145C	EA	Stock
39	MPN700265	M1011957	Head Block (Cover) HPV145D	EA	Stock
39	MPN700266	M1022441	Head Block (Cover) HPV145F	EA	Stock
41	MPN700272	M3036326	Piston, Servo	EA	Stock
42	MPN700273	M4193245	PIN	EA	Stock
43			Screw, Set	EA	Not Available
46			Pin, Spring	EA	Not Available
48			O-Ring	EA	SK
49			Bolt, Socket	EA	Not Available
50			Washer, Spring	EA	Not Available
51			Plug	EA	Not Available
51A			O-Ring	EA	SK
52			Stopper	EA	Not Available
53			O-Ring	EA	SK

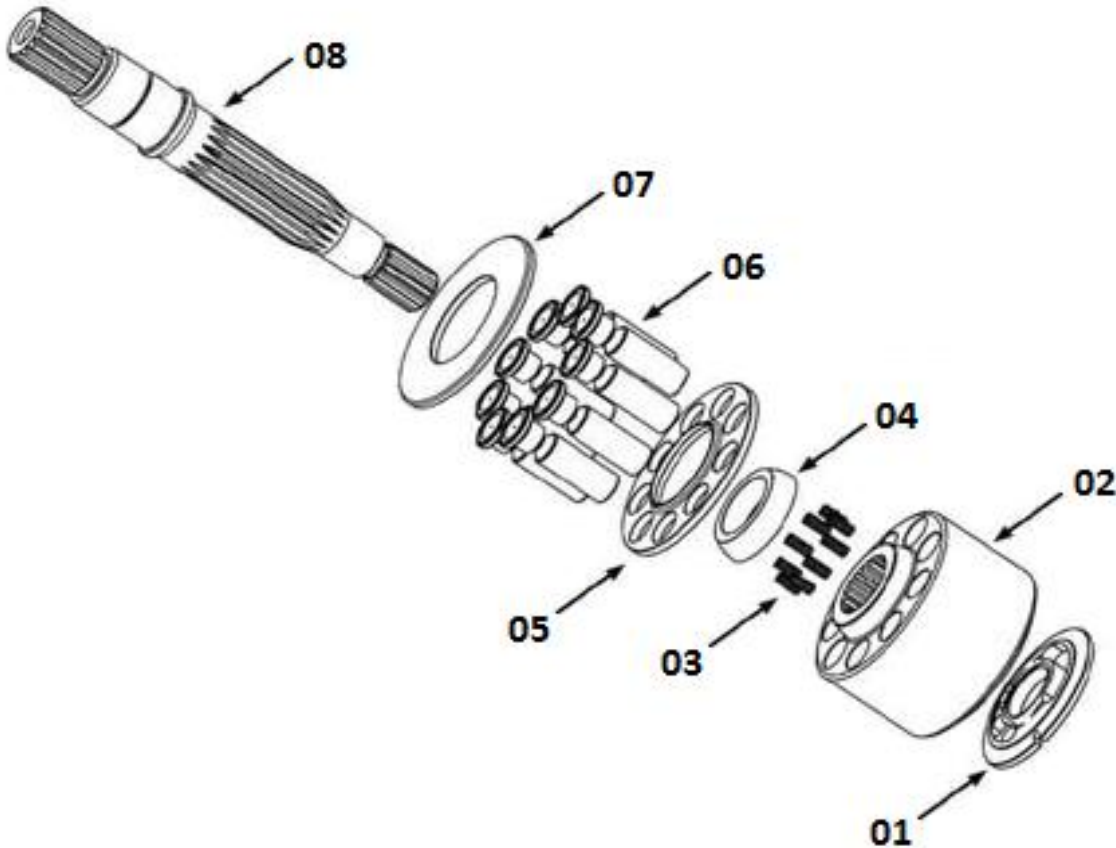
## HPV145 Parts & Price List

Item No.	METARIS No.	Reference No.	Description	Unit	Comments
59			O-Ring	EA	SK
62			Stopper	EA	Not Available
63			Bolt, Socket	EA	Not Available
64			Washer, Spring	EA	Not Available
66			Regulator	EA	Not Available
69			O-Ring	EA	SK
70			Pin, Spring	EA	Not Available
78			Plug	EA	Not Available
79			O-Ring	EA	SK
81			Plug	EA	Not Available
81A			O-Ring	EA	SK
			Seal Kit	EA	Special Order



## LPVD-45 Exploded View

### Liebherr LPVD

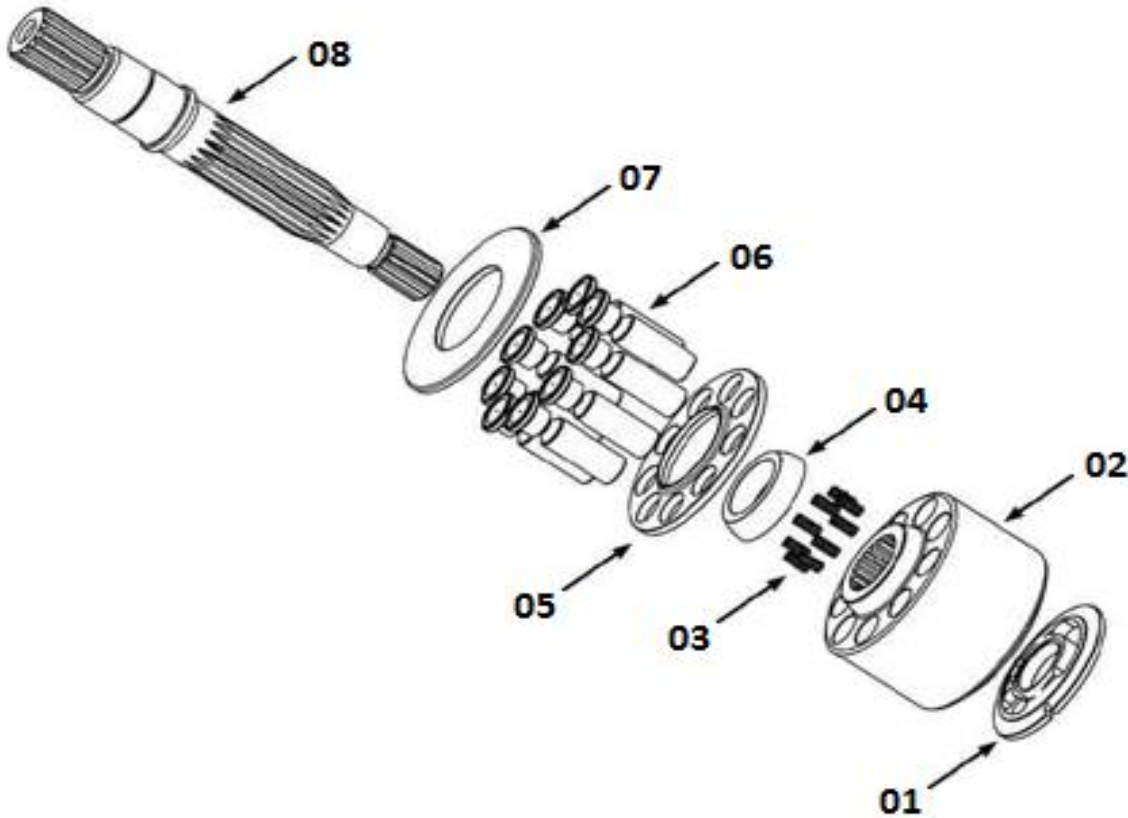


## LPVD-45 Parts & Price List

Item No.	METARIS No.	Reference No.	Description	Unit	Comments
01	MPN700100		Valve Plate (RH)	EA	40 to 70 Days
01	MPN700101		Valve Plate (LH)	EA	40 to 70 Days
02	MPN700102		Cylinder Block (Steel)	EA	40 to 70 Days
02			Cylinder Block (Brass)	EA	Not Available
03	MPN700173		Block Springs (Set of 9)	Set	40 to 70 Days
04	MPN700103		Ball Guide	EA	40 to 70 Days
05	MPN700105		Set Plate (Retainer)	EA	40 to 70 Days
06	MPN700104		Piston Assy. (Individual - 9 Required)	EA	40 to 70 Days
07	MPN700106		Shoe Plate (Thrust)	EA	40 to 70 Days
08			Drive Shaft (Front)	EA	Not Available
08			Drive Shaft (Rear)	EA	Not Available
1,2,4,5,6,7	MPN700161		Rotating Group (RH)	EA	No Block Springs
1,2,4,5,6,7	MPN700162		Rotating Group (LH)	EA	No Block Springs

## LPVD-64 Exploded View

### Liebherr LPVD

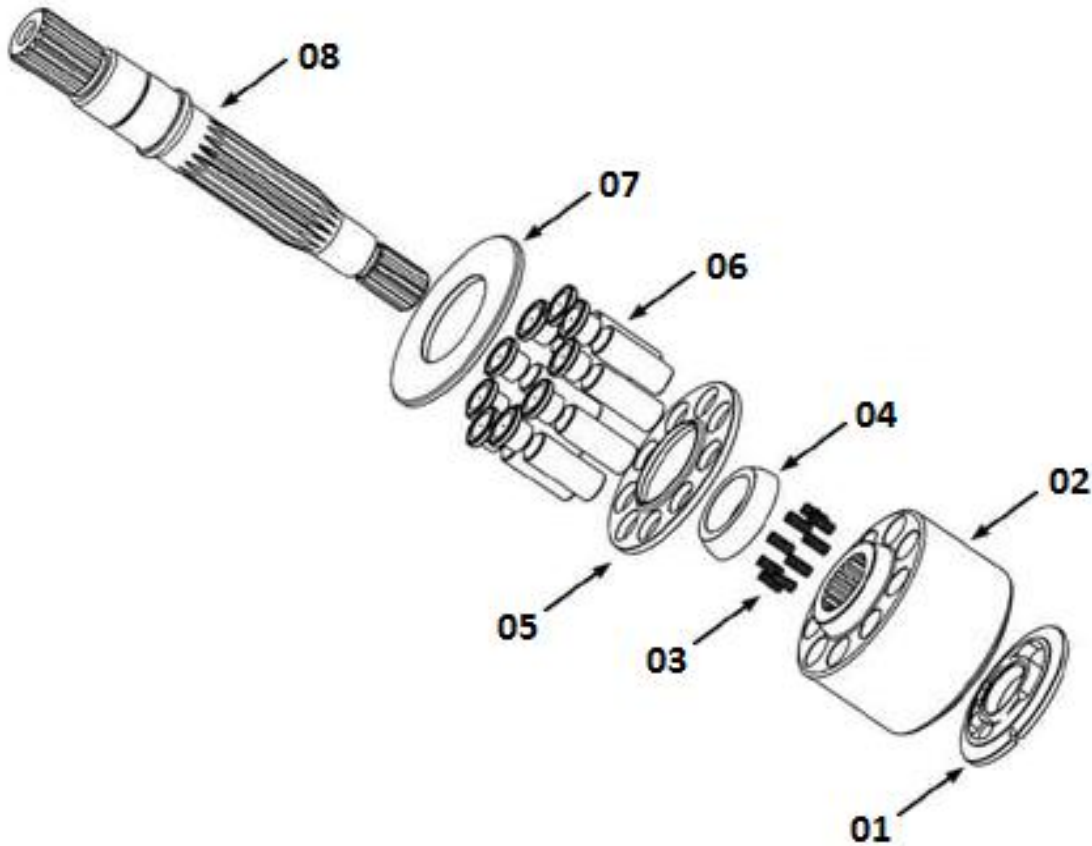


## LPVD-64 Parts & Price List

Item No.	METARIS No.	Reference No.	Description	Unit	Comments
01	MPN700107		Valve Plate (LH)	EA	40 to 70 Days
01	MPN700108		Valve Plate (RH)	EA	40 to 70 Days
02	MPN700109		Cylinder Block (Brass)	EA	40 to 70 Days
02	MPN700110		Cylinder Block (Steel)	EA	40 to 70 Days
03	MPN700111		Block Springs (Set of 9)	Set	40 to 70 Days
04	MPN700112		Ball Guide	EA	40 to 70 Days
05	MPN700114		Set Plate (Retainer)	EA	40 to 70 Days
06	MPN700113		Piston Assy. (Individual - 9 Required)	EA	40 to 70 Days
07	MPN700115		Shoe Plate (Thrust)	EA	40 to 70 Days
08	MPN700117		Drive Shaft (Front)	EA	40 to 70 Days
08	MPN700118		Drive Shaft (Rear)	EA	40 to 70 Days
	MPN700116		Swash Plate (Yoke)	EA	40 to 70 Days
1,2,4,5,6,7	MPN700163		Rotating Group (RH)	EA	No Block Springs
1,2,4,5,6,7	MPN700164		Rotating Group (LH)	EA	No Block Springs

## LPVD-90 Exploded View

### Liebherr LPVD

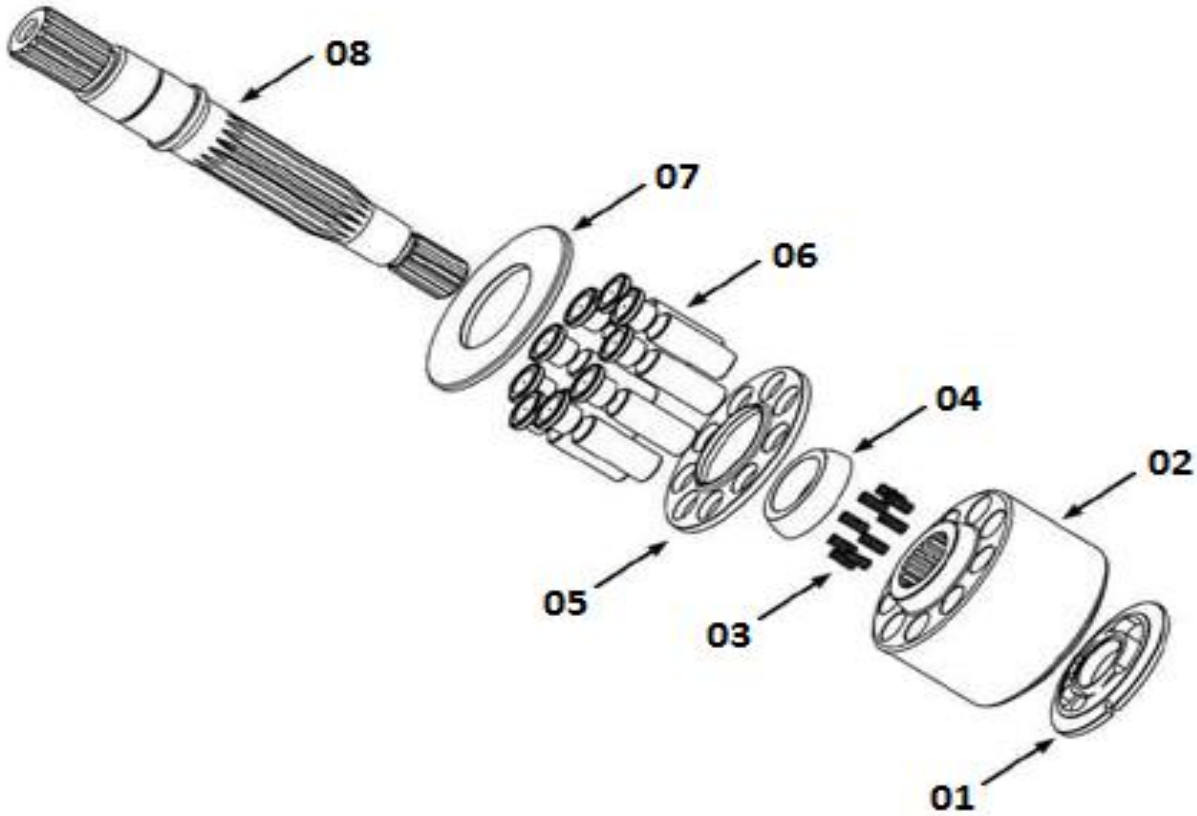


### LPVD-90 Parts & Price List

Item No.	METARIS No.	Reference No.	Description	Unit	Comments
01	MPN700119		Valve Plate (RH)	EA	40 to 70 Days
01	MPN700120		Valve Plate (LH)	EA	40 to 70 Days
02	MPN700121		Cylinder Block (Steel)	EA	40 to 70 Days
02			Cylinder Block (Brass)	EA	Not Available
03	MPN700174		Block Springs (Set of 9)	Set	40 to 70 Days
04	MPN700122		Ball Guide	EA	40 to 70 Days
05	MPN700124		Set Plate (Retainer)	EA	40 to 70 Days
06	MPN700123		Piston Assy. (Individual - 9 Required)	EA	40 to 70 Days
07	MPN700125		Shoe Plate (Thrust)	EA	40 to 70 Days
08	MPN700126		Drive Shaft (Front)	EA	40 to 70 Days
08	MPN700127		Drive Shaft (Rear)	EA	40 to 70 Days
1,2,4,5,6,7	MPN700165		Rotating Group (RH)	EA	No Block Springs
1,2,4,5,6,7	MPN700166		Rotating Group (LH)	EA	No Block Springs

## LPVD-100 Exploded View

### Liebherr LPVD

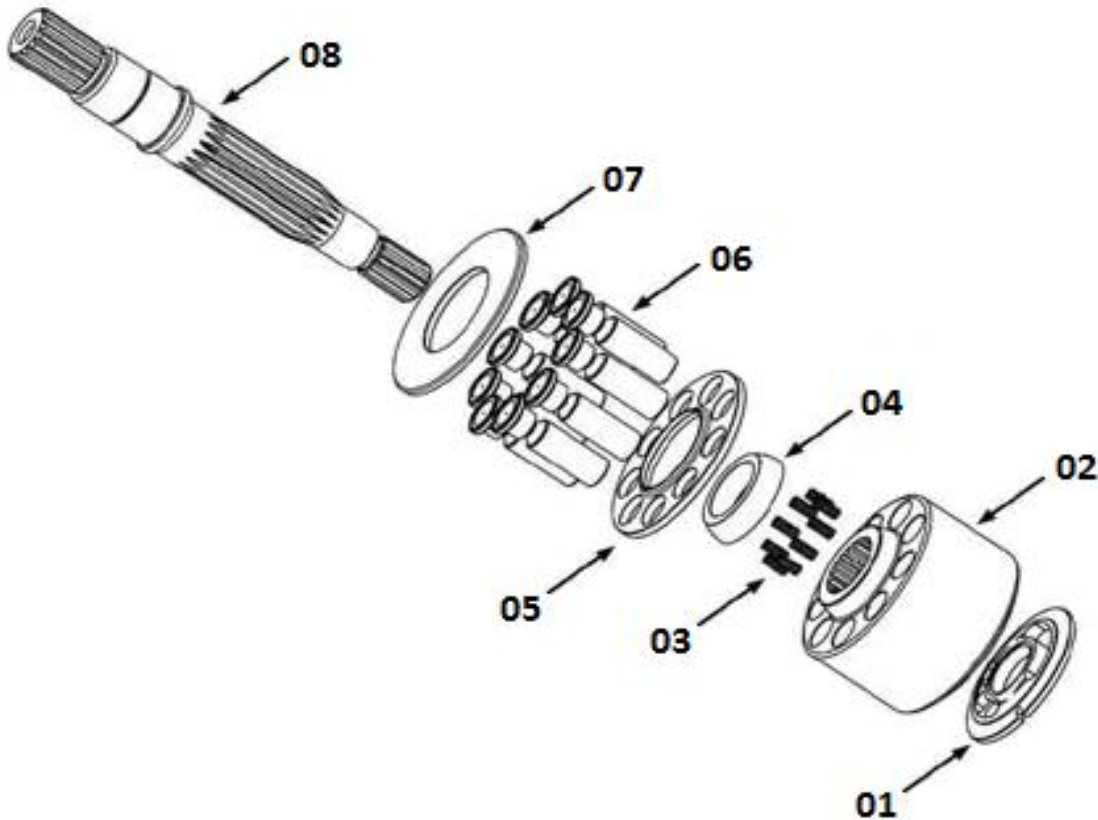


## LPVD-100 Parts & Price List

Item No.	METARIS No.	Reference No.	Description	Unit	Comments
01	MPN700128		Valve Plate (LH)	EA	40 to 70 Days
01	MPN700129		Valve Plate (RH)	EA	40 to 70 Days
02	MPN700130		Cylinder Block (Steel)	EA	40 to 70 Days
02			Cylinder Block (Brass)	EA	Not Available
03	MPN700131		Block Springs (Set of 9)	SET	40 to 70 Days
04	MPN700132		Ball Guide	EA	40 to 70 Days
05	MPN700134		Set Plate (Retainer)	EA	40 to 70 Days
06	MPN700133		Piston Assy. (Individual - 9 Required)	EA	40 to 70 Days
07	MPN700135		Shoe Plate (Thrust)	EA	40 to 70 Days
08	MPN700137		Drive Shaft (Front)	EA	40 to 70 Days
08	MPN700138		Drive Shaft (Rear)	EA	40 to 70 Days
	MPN700136		Swash Plate (Yoke)	EA	40 to 70 Days
1,2,3, 4,5,6,7	MPN700167		Rotating Group (RH)	EA	With Block Springs
1,2,3,4,5,6,7	MPN700168		Rotating Group (LH)	EA	With Block Springs

## LPVD-125 Exploded View

### Liebherr LPVD

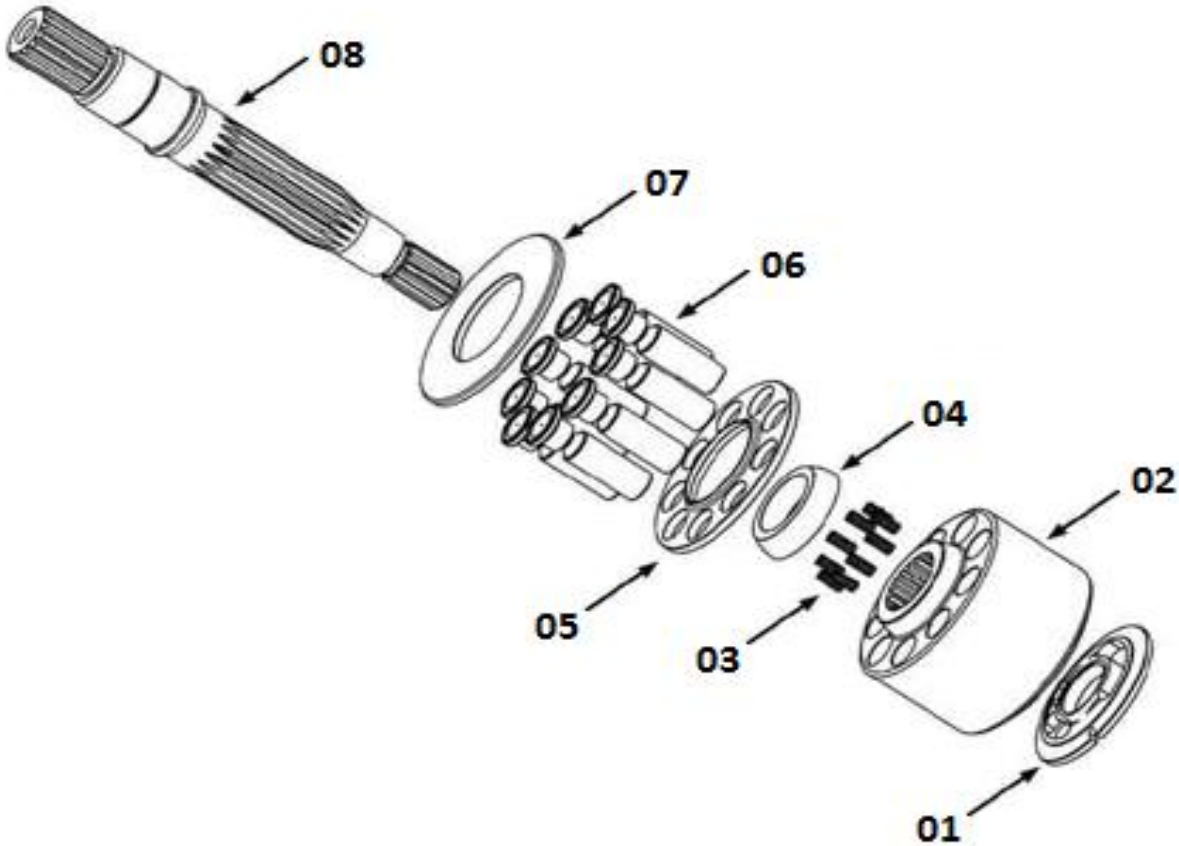


## LPVD-125 Parts & Price List

Item No.	METARIS No.	Reference No.	Description	Unit	Comments
01	MPN700139		Valve Plate (RH)	EA	40 to 70 Days
01	MPN700140		Valve Plate (LH)	EA	40 to 70 Days
02	MPN700141		Cylinder Block (Steel)	EA	40 to 70 Days
02			Cylinder Block (Brass)	EA	Not Available
03	MPN700175		Block Springs (Set of 9)	Set	40 to 70 Days
04	MPN700142		Ball Guide	EA	40 to 70 Days
05	MPN700144		Set Plate (Retainer)	EA	40 to 70 Days
06	MPN700143		Piston Assy. (Individual - 9 Required)	EA	40 to 70 Days
07	MPN700145		Shoe Plate (Thrust)	EA	40 to 70 Days
08	MPN700146		Drive Shaft (Front)	EA	40 to 70 Days
08	MPN700147		Drive Shaft (Rear)	EA	40 to 70 Days
	MPN700148		Bearing Seat	EA	40 to 70 Days
1,2,4,5,6,7	MPN700169		Rotating Group (RH)	EA	No Block Springs
1,2,4,5,6,7	MPN700170		Rotating Group (LH)	EA	No Block Springs

## LPVD-140 Exploded View

### Liebherr LPVD

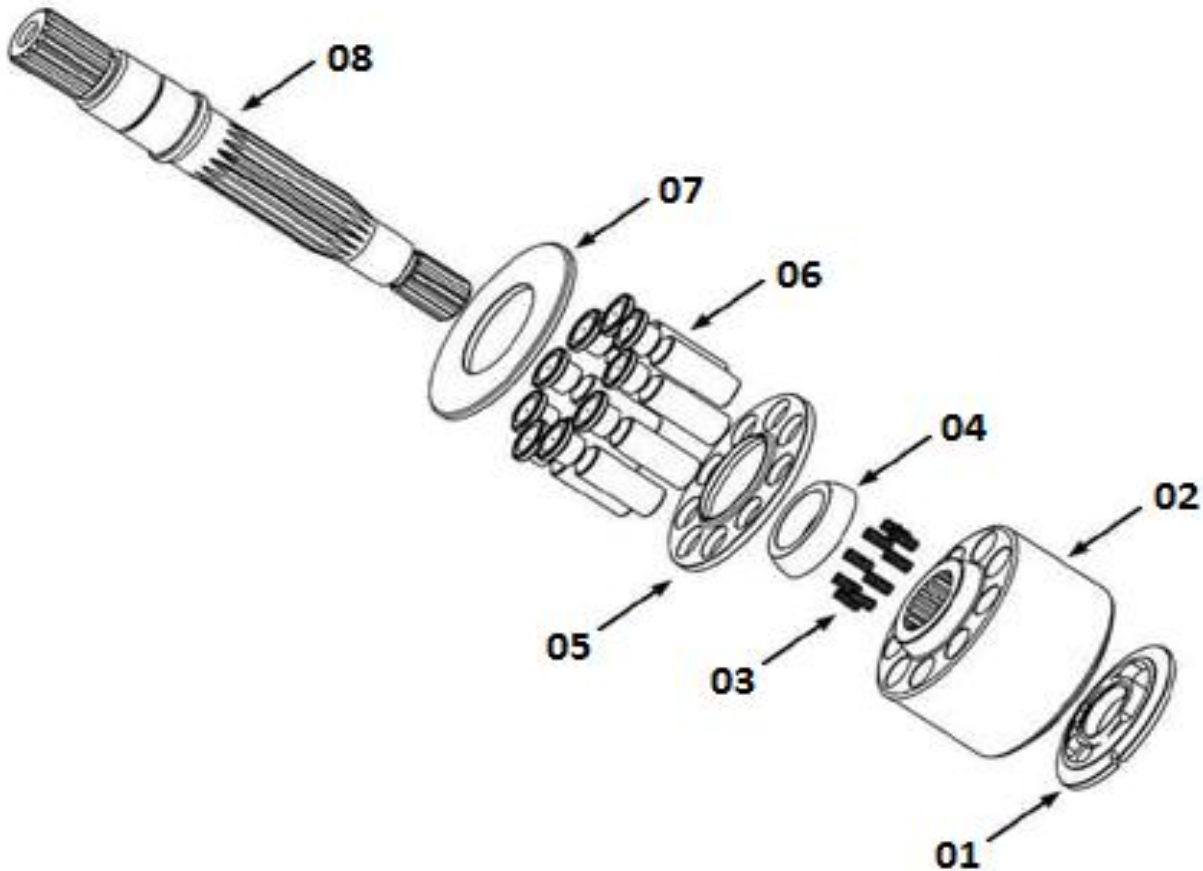


### LPVD-140 Parts & Price List

Item No.	METARIS No.	Reference No.	Description	Unit	Comments
01	MPN700149		Valve Plate (RH)	EA	40 to 70 Days
01	MPN700150		Valve Plate (LH)	EA	40 to 70 Days
02	MPN700151		Cylinder Block (Steel)	EA	40 to 70 Days
02			Cylinder Block (Brass)	EA	Not Available
03	MPN700176		Block Springs (Set of 9)	Set	40 to 70 Days
04	MPN700152		Ball Guide	EA	40 to 70 Days
05	MPN700154		Set Plate (Retainer)	EA	40 to 70 Days
06	MPN700153		Piston Assy. (Individual - 9 Required)	EA	40 to 70 Days
07	MPN700155		Shoe Plate (Thrust)	EA	40 to 70 Days
08	MPN700156		Drive Shaft (18T x 24T)	EA	40 to 70 Days
08	MPN700157		Drive Shaft	EA	40 to 70 Days
1,2,4,5,6,7	MPN700171		Rotating Group (RH)	EA	No Block Springs
1,2,4,5,6,7	MPN700172		Rotating Group (LH)	EA	No Block Springs

## LPVD-250 Exploded View

### Liebherr LPVD



### LPVD-250 Parts & Price List

Item No.	METARIS No.	Reference No.	Description	Unit	Comments
01			Valve Plate (LH)	EA	Not Available
01			Valve Plate (RH)	EA	Not Available
02			Cylinder Block (Steel)	EA	Not Available
02			Cylinder Block (Brass)	EA	Not Available
03			Block Springs (Set of 9)	Set	Not Available
04	MPN700158		Ball Guide	EA	40 to 70 Days
05	MPN700160		Set Plate (Retainer)	EA	40 to 70 Days
06	MPN700159		Piston Assy. (Individual - 9 Required)	EA	40 to 70 Days
07			Shoe Plate (Thrust)	EA	Not Available
08			Drive Shaft (Front)	EA	Not Available
08			Drive Shaft (Rear)	EA	Not Available

# PISTON PRODUCT LISTING

## WARRANTY POLICY AND PROCEDURES

### WARRANTY

Metaris Inc. and Metaris Corp. hereinafter "Metaris", Warrants all of its product to be free from defects in material and workmanship under normal operating conditions and proper application in accordance with the specifications for operation as described by the manufacturer for the period of twelve (12) months in service or eighteen (18) months from the original invoice date, whichever comes sooner.

### LIMITATIONS ON WARRANTY

This warranty is expressly in lieu of any other warranties expressed or implied. Buyers sole and exclusive remedy under this Warranty shall be limited to the repair, replacement or exchange of warranted products at our option, F.O.B. our factory, or designated service center.

No special, incidental, consequential or other damage shall be recoverable. Metaris shall not be liable for consequential damages or contingent liabilities including, but not limited to, loss of life, personal injury, loss of crops, loss due to water or fire damage, loss of business income, down time costs and trade or other commercial loss arising out of failure of the product. Metaris will in no event be liable for any sum in excess of the price received by it for the product for which liability is claimed or asserted.

No products shall be returned without prior authorization from Metaris. Buyers and their Agents shall prepay all transportation charges for the return of such products to Metaris 'factory or designated service center. There will be no acceptance of any charges for labor and/or parts incidental to the removal or remounting of products repaired or replaced under Warranty.

The above Warranty does not cover conditions over which Metaris has no control, including, without limitation, contamination, pressure in excess of recommended maximum, products damaged or subject to accident abuse or misuse after shipment from our factory, products altered or repaired by anyone other than Metaris personnel, authorized Metaris factory personnel or persons so designated in writing by Metaris prior to commencement of said work.

A return goods authorization number must be obtained from Metaris or a Metaris authorized service center, or a Metaris authorized agent prior to any products being returned for Warranty.



All items are Metaris manufactured; OEM part #'s are displayed for reference purpose only. Prices subject to change without notice.



# PISTON PRODUCT LISTING

## DISCLAIMER

Caterpillar® and Cat® are registered trademarks of Caterpillar® Inc. All items listed are Metaris manufactured; OEM and reference part #'s are displayed for reference purposes only. Metaris is not affiliated or authorized by Caterpillar® Inc.

Vickers® is a registered trademark of Eaton® Corp. All items listed are Metaris manufactured; OEM and reference part #'s are displayed for reference purposes only. Metaris is not affiliated or authorized by Eaton® Corp.

Rexroth® is a registered trademark of Bosch-Rexroth® Inc. All items listed are Metaris manufactured; OEM and reference part #'s are displayed for reference purposes only. Metaris is not affiliated or authorized by Bosch-Rexroth® Inc.

Sundstrand® is a registered trademark of Sauer-Danfoss® Inc. All items listed are Metaris manufactured; OEM and reference part #'s are displayed for reference purposes only. Metaris is not affiliated or authorized by Sauer-Danfoss® Inc.

Linde® is a registered trademark of Linde® Inc. All items listed are Metaris manufactured; OEM and reference part #'s are displayed for reference purposes only. Metaris is not affiliated or authorized by Linde® Inc.

Kawasaki® is registered trademarks of Kawasaki® Motors Corp., U.S.A. All items listed are Metaris manufactured; OEM and reference part #'s are displayed for reference purposes only. Metaris is not affiliated or authorized by Kawasaki® Motors Corp., U.S.A.

Volvo® is a registered trademark of Volvo® .All items listed are Metaris manufactured; OEM and reference part #'s are displayed for reference purposes only. Metaris is not affiliated or authorized by Volvo®.

Case® is a registered trademark of Case® Corp. All items listed are Metaris manufactured; OEM and reference part #'s are displayed for reference purposes only. Metaris is not affiliated or authorized by Case® Corp.

JCB® and is a registered trademark of JCB® Ltd. All items listed are Metaris manufactured; OEM and reference part #'s are displayed for reference purposes only. Metaris is not affiliated or authorized by JCB® Ltd

Grove® is a registered trademark of Manitowoc®. All items listed are Metaris manufactured; OEM and reference part #'s are displayed for reference purposes only. Metaris is not affiliated or authorized by Manitowoc® Corp.

Komatsu® is a registered trademark of Komatsu America Corp. and its subsidiaries; OEM and reference part #'s are displayed for reference purposes only. Metaris is not affiliated or authorized by Komatsu America® Corp

Hitachi® is registered trademarks of Hitachi® Ltd. All items listed are Metaris manufactured; OEM and reference part #'s are displayed for reference purposes only. Metaris is not affiliated or authorized by Hitachi® Ltd.



All items are Metaris manufactured; OEM part #'s are displayed for reference purpose only. Prices subject to change without notice.



## METARIS BRAND REPLACEMENT PARTS

Our extensive inventory assures you of prompt shipping of pumps and parts anywhere in the world.

Our parts are 100% interchangeable with OEM products. We are committed to high quality, zero defects, and getting your orders out correctly and on time.

Whatever your application, Metaris has a high quality replacement product 100% backed by our commitment to service.

**WE WANT TO BE THE SUPPLIER FOR ALL YOUR PISTON PRODUCT NEEDS.**



### Metaris Corporation

1519 Hwy 35 North, Forest, Mississippi 39074  
Tel: (601) 469-1987 | Toll Free: 1-800-962-2701  
Fax: (601) 469-2120 | Toll Free: 1-800-654-5083  
E-mail: [sales@metarisusa.com](mailto:sales@metarisusa.com)

### Metaris Inc.

101 Canarctic, Toronto, Ontario M3J 2N7  
Tel: (416) 638-6000 | Toll Free: 1-888-477-2737  
Fax: (416) 638-9365 | Toll Free: 1-866-638-9365  
E-mail: [sales@metaris.com](mailto:sales@metaris.com)